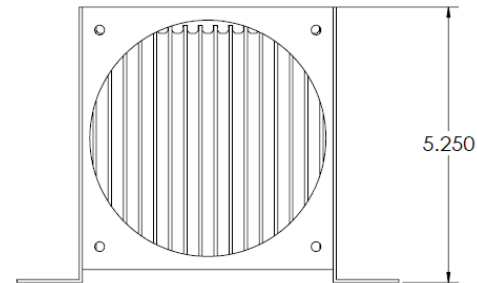
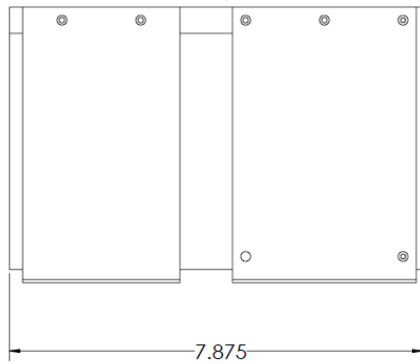
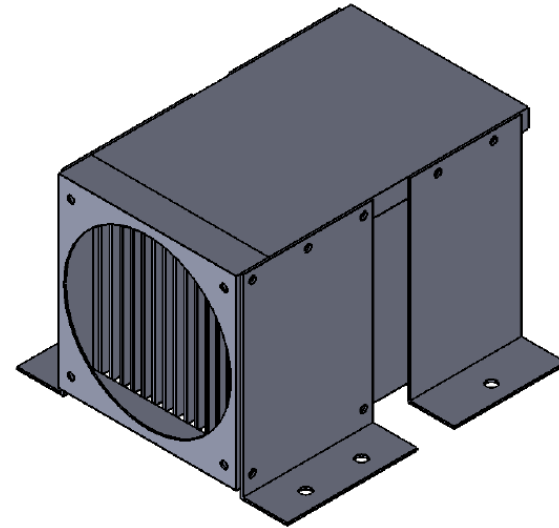
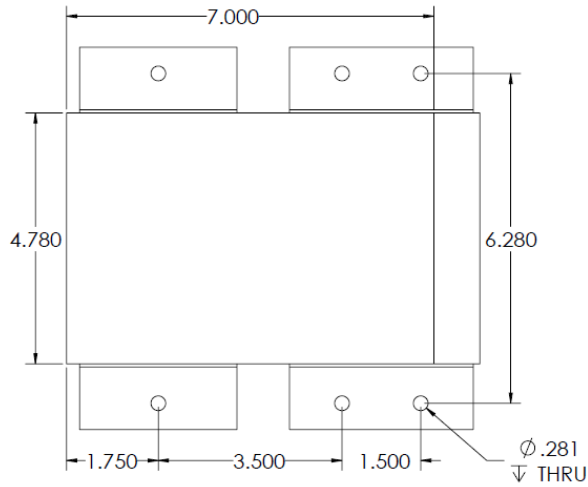




D6 INDUSTRIES
Air Cooled Heatsink
SW5-0700
78 CFM
1000W Distributed

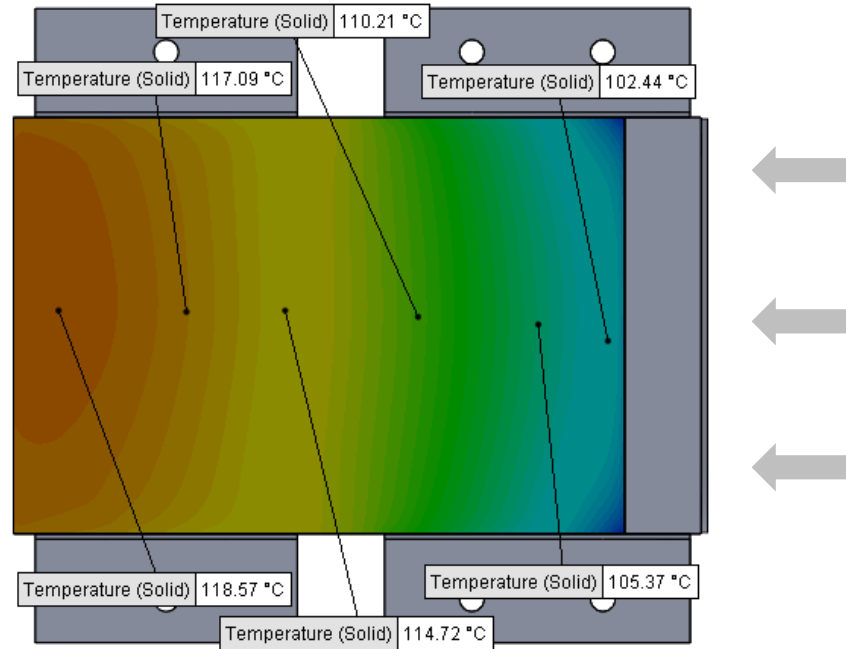


PARAMETERS

Inlet Flow: 78 CFM

Ambient Air Temp in: 20°C

Heat Source: 1000W distributed



Simulation Data

Goal Name	Unit	Value
SG Min Temperature (Solid) 1	[°C]	96.98499896
SG Av Temperature (Solid) 1	[°C]	112.1159767
SG Max Temperature (Solid) 1	[°C]	118.5993246

SG-Surface goal is a parameter on selected surface(s).

RESULTS

Thermal Resistance: 0.0921°C/W

Min Surface Temp: 96.98°C

Max Surface Temp: 118.59°C