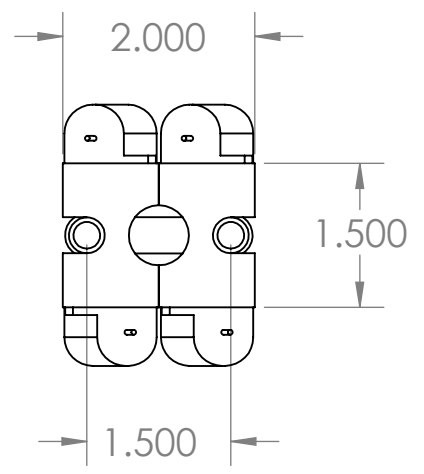
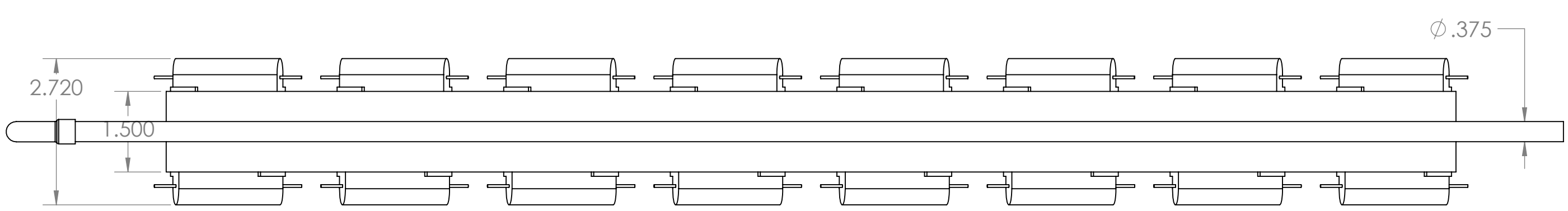
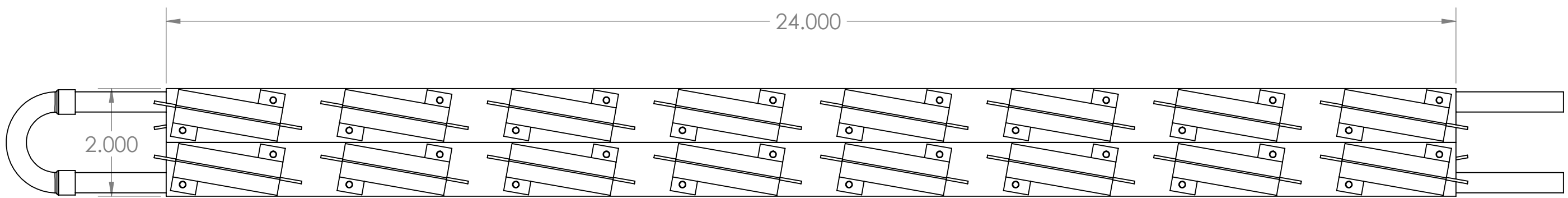
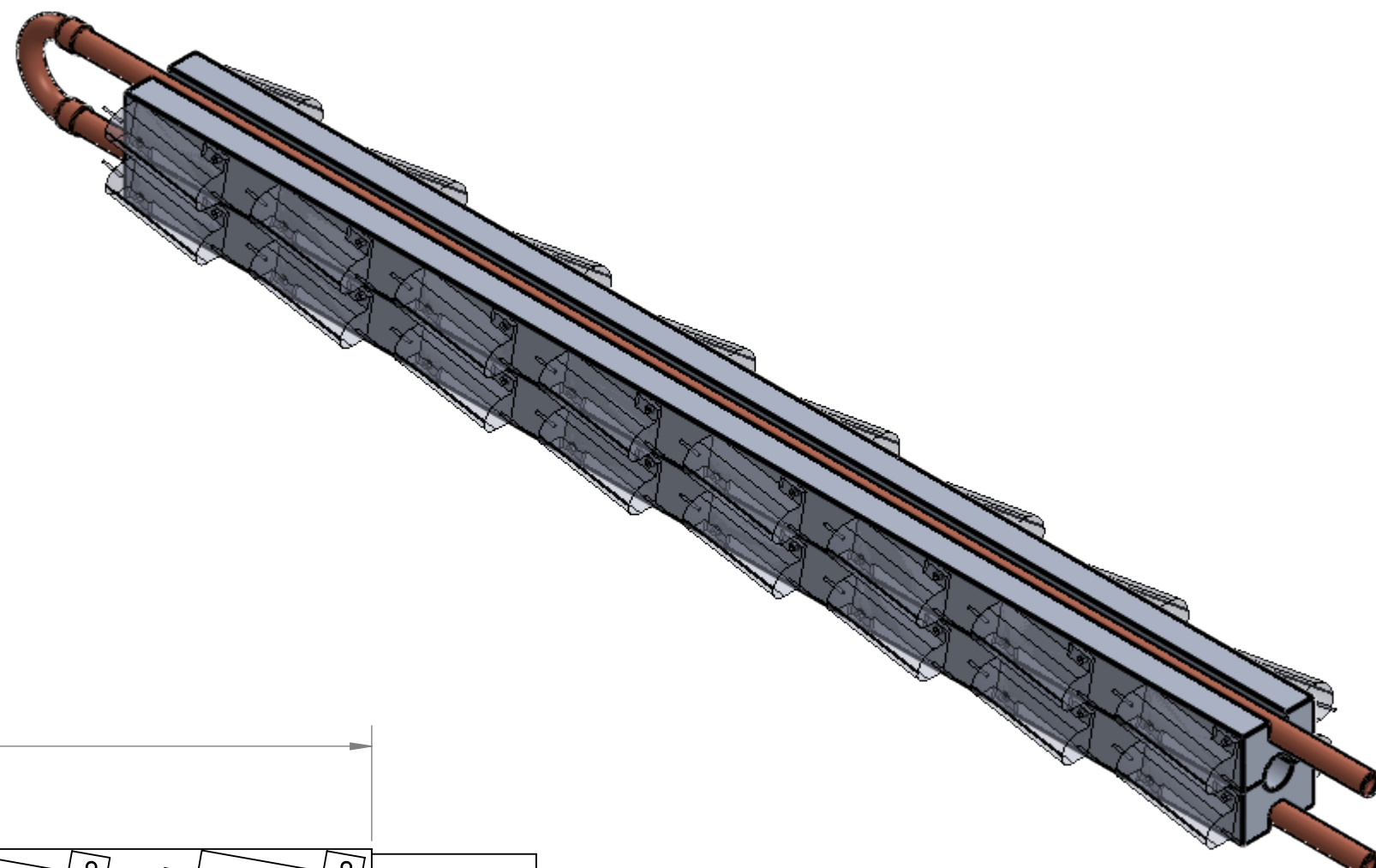


4

3

2

1



NOTES:
 MATERIALS-
 BASEPLATE: AL 6061
 TUBE: 3/8 OD TUBE
 FITTING: COPPER RETURN BEND



PROPRIETARY AND CONFIDENTIAL
 THE INFORMATION CONTAINED IN THIS DRAWING IS THE SOLE PROPERTY OF D6 INDUSTRIES. ANY REPRODUCTION IN PART OR AS A WHOLE WITHOUT THE WRITTEN PERMISSION OF D6 INDUSTRIES IS PROHIBITED.

| | | | | |
|--------------------------------------|--|-----------|------|-------------------------------|
| UNLESS OTHERWISE SPECIFIED: | | NAME | DATE | TITLE: LB-2400-32R |
| DIMENSIONS ARE IN INCHES | | DRAWN | | |
| TOLERANCES: | | CHECKED | | SIZE DWG. NO. REV C |
| FRACTIONAL ± | | ENG APPR. | | |
| ANGULAR: MACH ± BEND ± | | MFG APPR. | | SCALE: WEIGHT: SHEET 1 OF 1 |
| TWO PLACE DECIMAL ± | | Q.A. | | |
| THREE PLACE DECIMAL ± | | COMMENTS: | | |
| INTERPRET GEOMETRIC TOLERANCING PER: | | | | |
| MATERIAL | | | | |
| FINISH | | | | |
| DO NOT SCALE DRAWING | | | | |

4

3

2

1

D

D

C

C

B

B

A

A