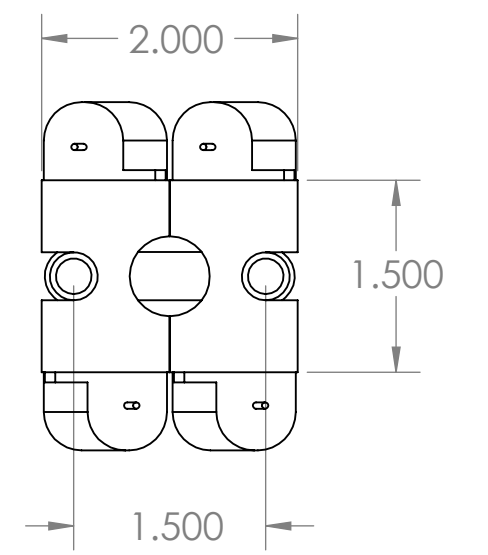
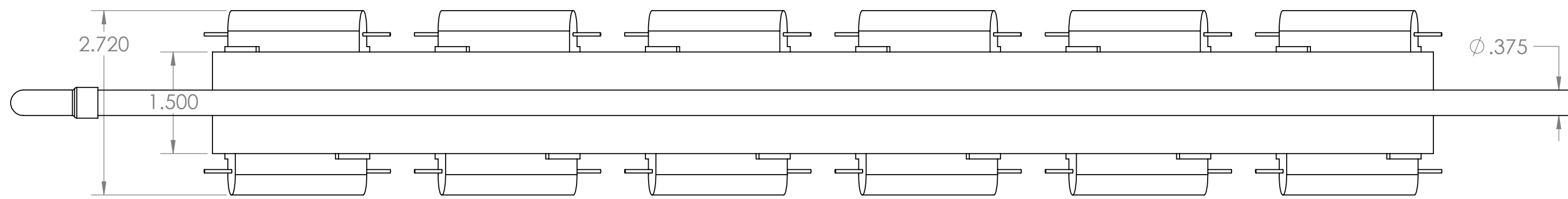
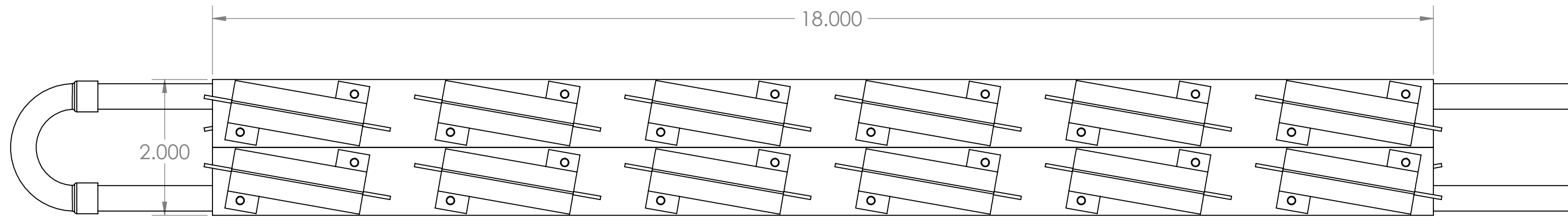
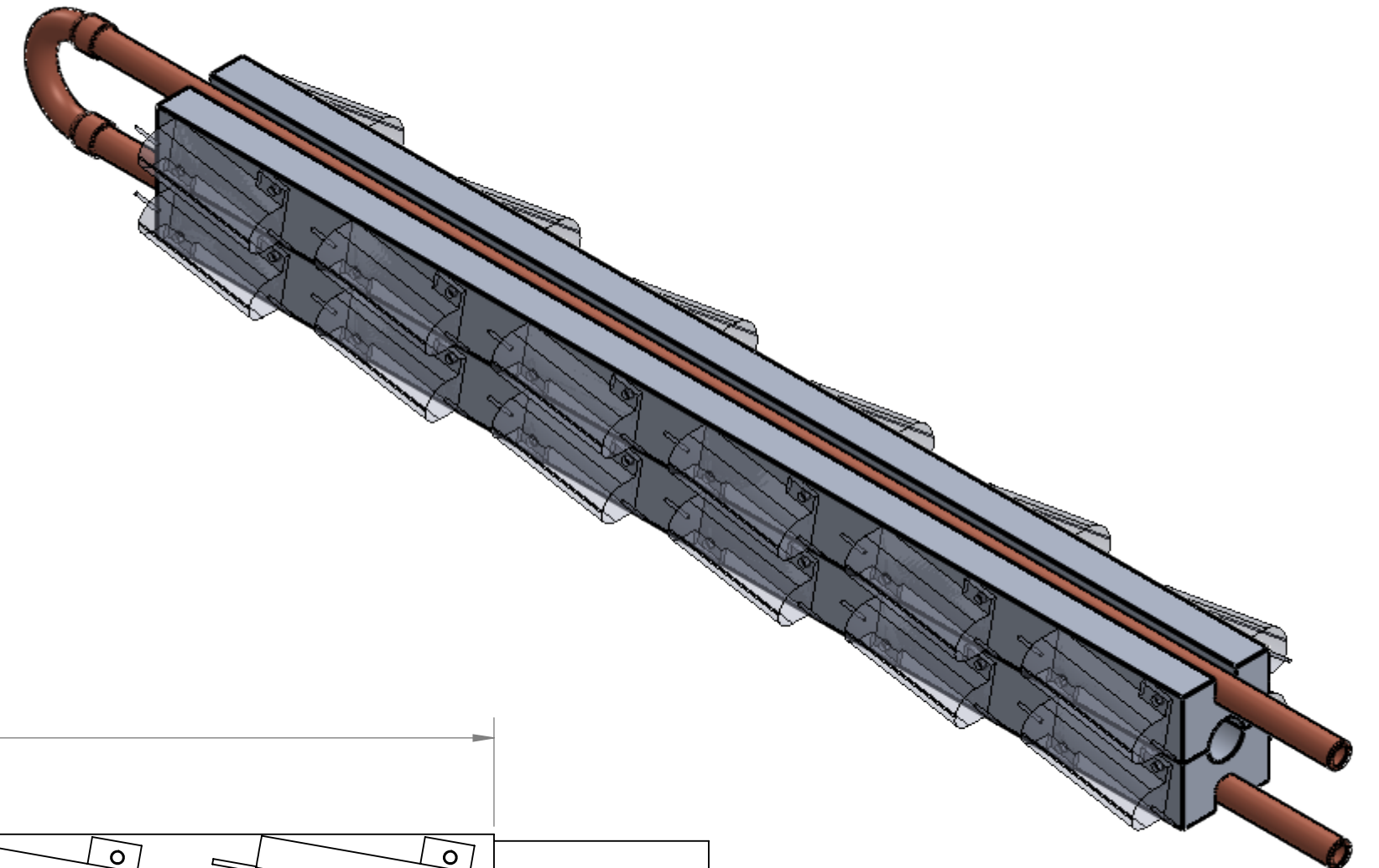


4

3

2

1



NOTES:  
 MATERIALS-  
 BASEPLATE: AL 6061  
 TUBE: 3/8 OD COPPER  
 FITTING: COPPER RETURN BEND

**D<sup>6</sup>**  
 601 S UNION ST.  
 LAWRENCE, MA 01843  
 978-989-0981

**PROPRIETARY AND CONFIDENTIAL**  
 THE INFORMATION CONTAINED IN THIS DRAWING IS THE SOLE PROPERTY OF D6 INDUSTRIES. ANY REPRODUCTION IN PART OR AS A WHOLE WITHOUT THE WRITTEN PERMISSION OF D6 INDUSTRIES IS PROHIBITED.

UNLESS OTHERWISE SPECIFIED:		NAME	DATE
DIMENSIONS ARE IN INCHES		DRAWN	
TOLERANCES:		CHECKED	
FRACTIONAL ±		ENG APPR.	
ANGULAR: MACH ± BEND ±		MFG APPR.	
TWO PLACE DECIMAL ±		Q.A.	
THREE PLACE DECIMAL ±		COMMENTS:	
INTERPRET GEOMETRIC TOLERANCING PER:			
MATERIAL			
SEE NOTES			
FINISH			
DO NOT SCALE DRAWING			

TITLE: <b>LB-1800-24R</b>		
SIZE <b>C</b>	DWG. NO.	REV
SCALE:	WEIGHT:	SHEET 1 OF 1

4

3

2

1

D

D

C

C

B

B

A

A