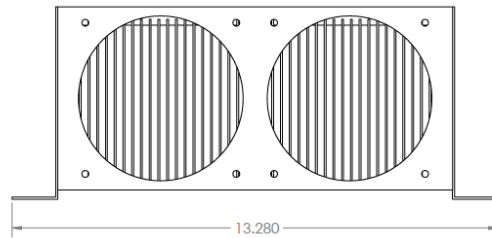
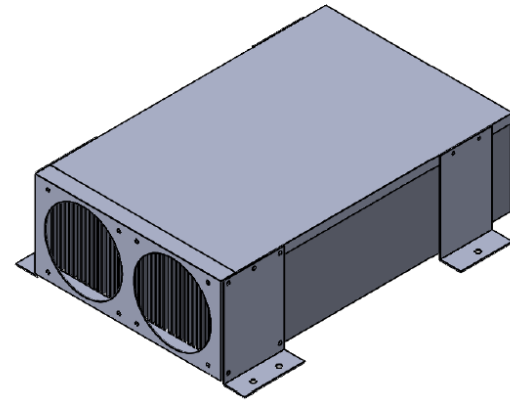
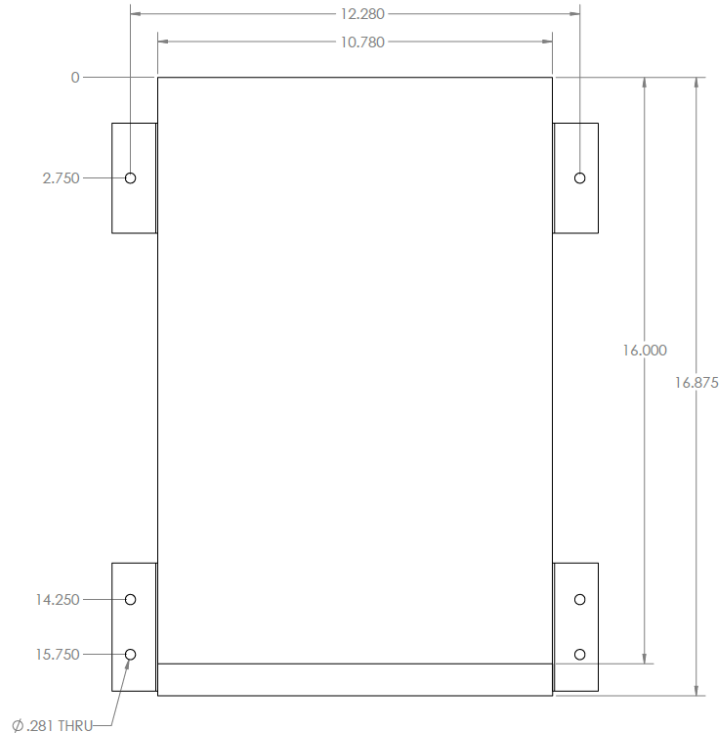




D6 INDUSTRIES  
Air Cooled Heatsink  
DW5-1600  
78 CFM  
1000W Distributed

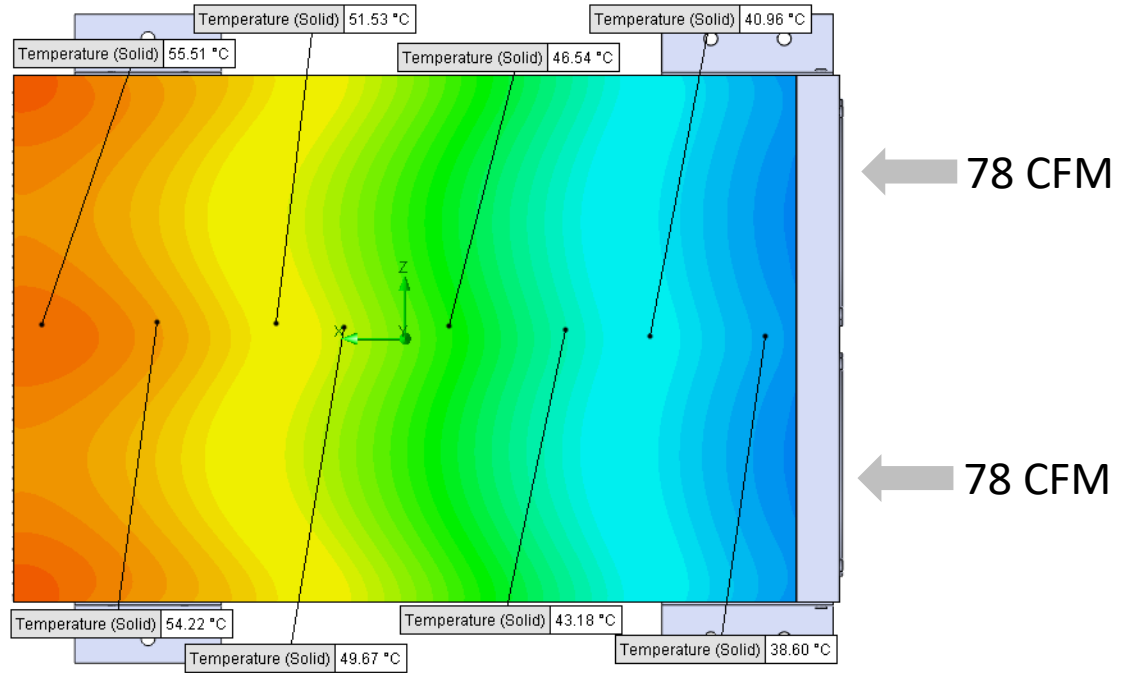


## PARAMETERS

Inlet Flow: 78 cfm

Ambient Air Temp in: 20°C

Heat Source: 1000W distributed



## Simulation Data

Goal Name	Unit	Value
SG Min Temperature (Solid) 1	[°C]	37.57803975
SG Av Temperature (Solid) 1	[°C]	47.28244546
SG Max Temperature (Solid) 1	[°C]	55.86083979

SG-Surface goal is a parameter on selected surface(s).

## RESULTS

Thermal Resistance: 0.0272°C/W

Min Surface Temp: 37.57°C

Max Surface Temp: 55.86°C