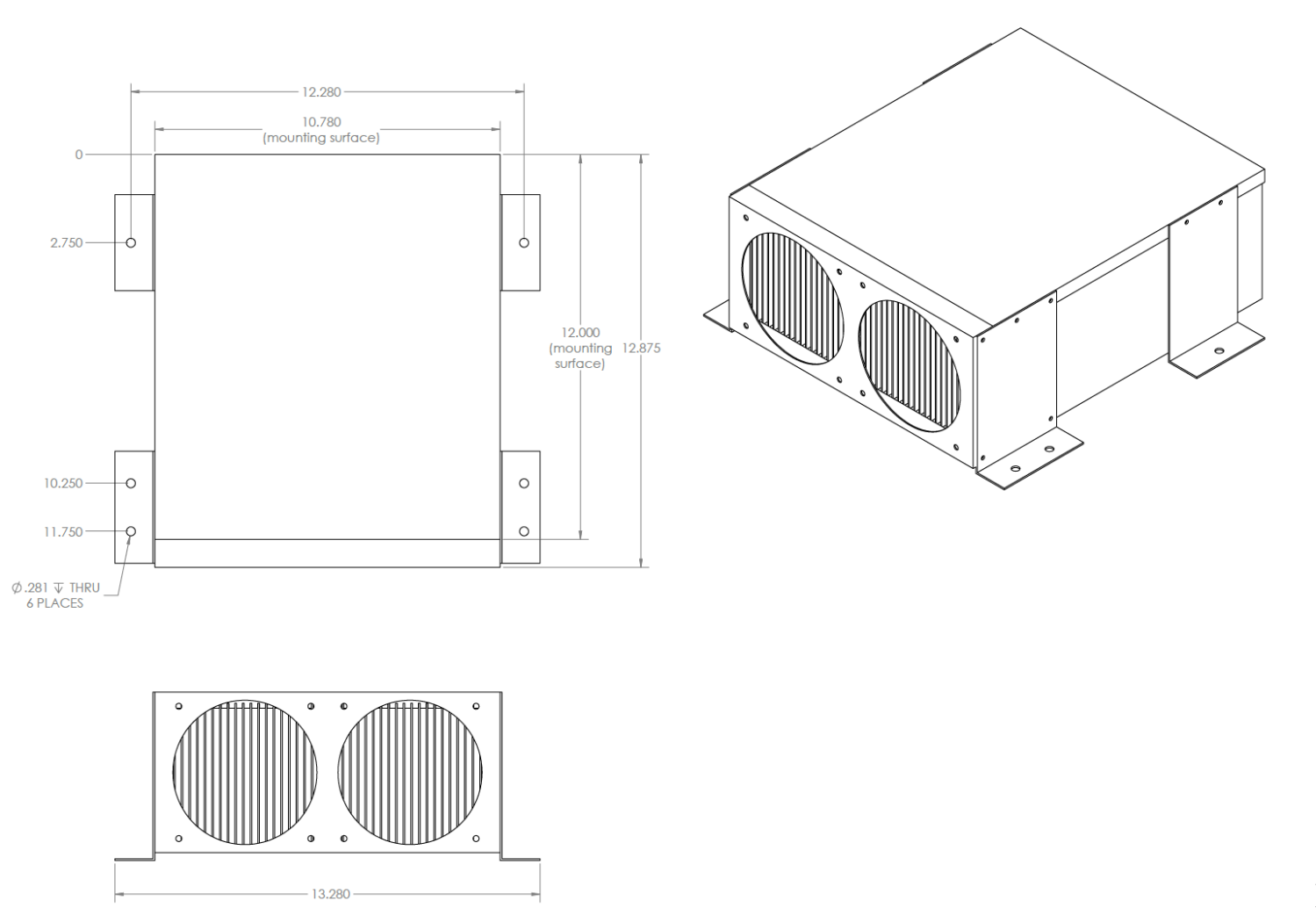




D6 INDUSTRIES
Air Cooled Heatsink
DW5-1200
78 CFM
1000W Distributed

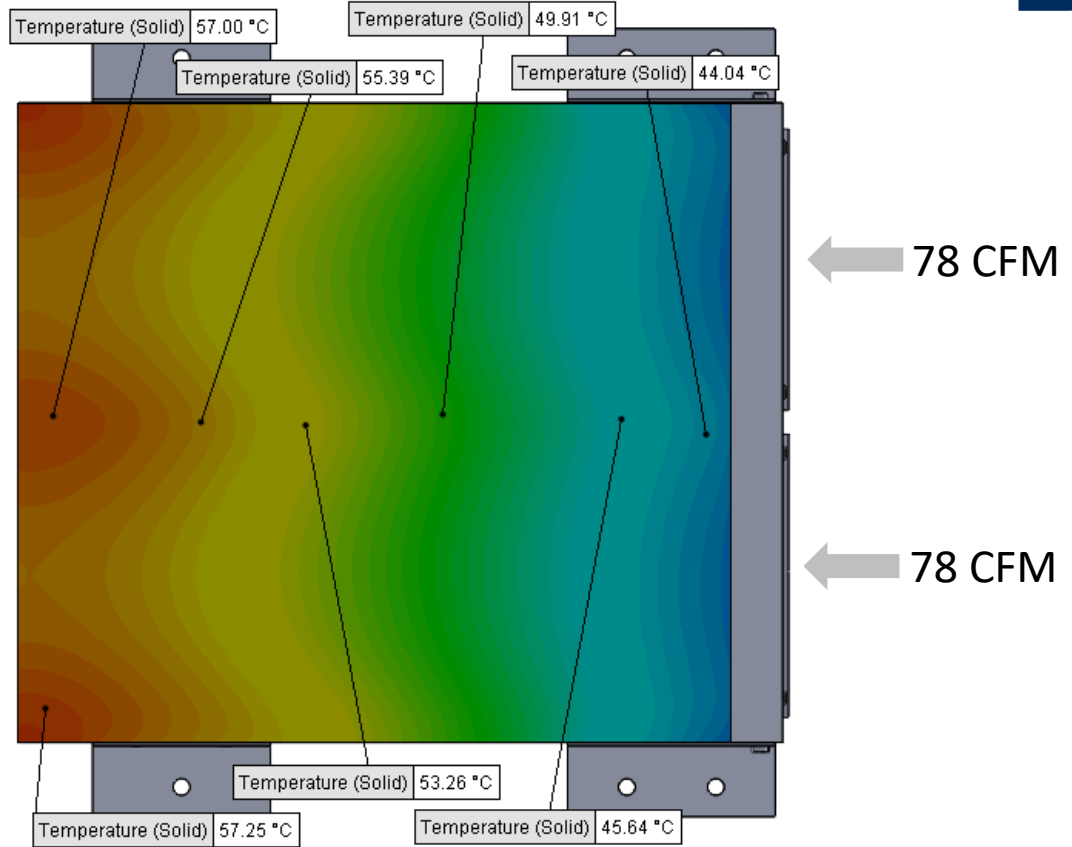


PARAMETERS

Inlet Flow: 78 cfm

Ambient Air Temp in: 20°C

Heat Source: 1000W distributed



Simulation Data

Goal Name	Unit	Value
SG Min Temperature (Solid) 1	[°C]	42.58915866
SG Av Temperature (Solid) 1	[°C]	50.75773967
SG Max Temperature (Solid) 1	[°C]	57.52888533

SG-Surface goal is a parameter on selected surface(s).

RESULTS

Thermal Resistance: 0.0307°C/W

Min Surface Temp: 42.58°C

Max Surface Temp: 57.52°C