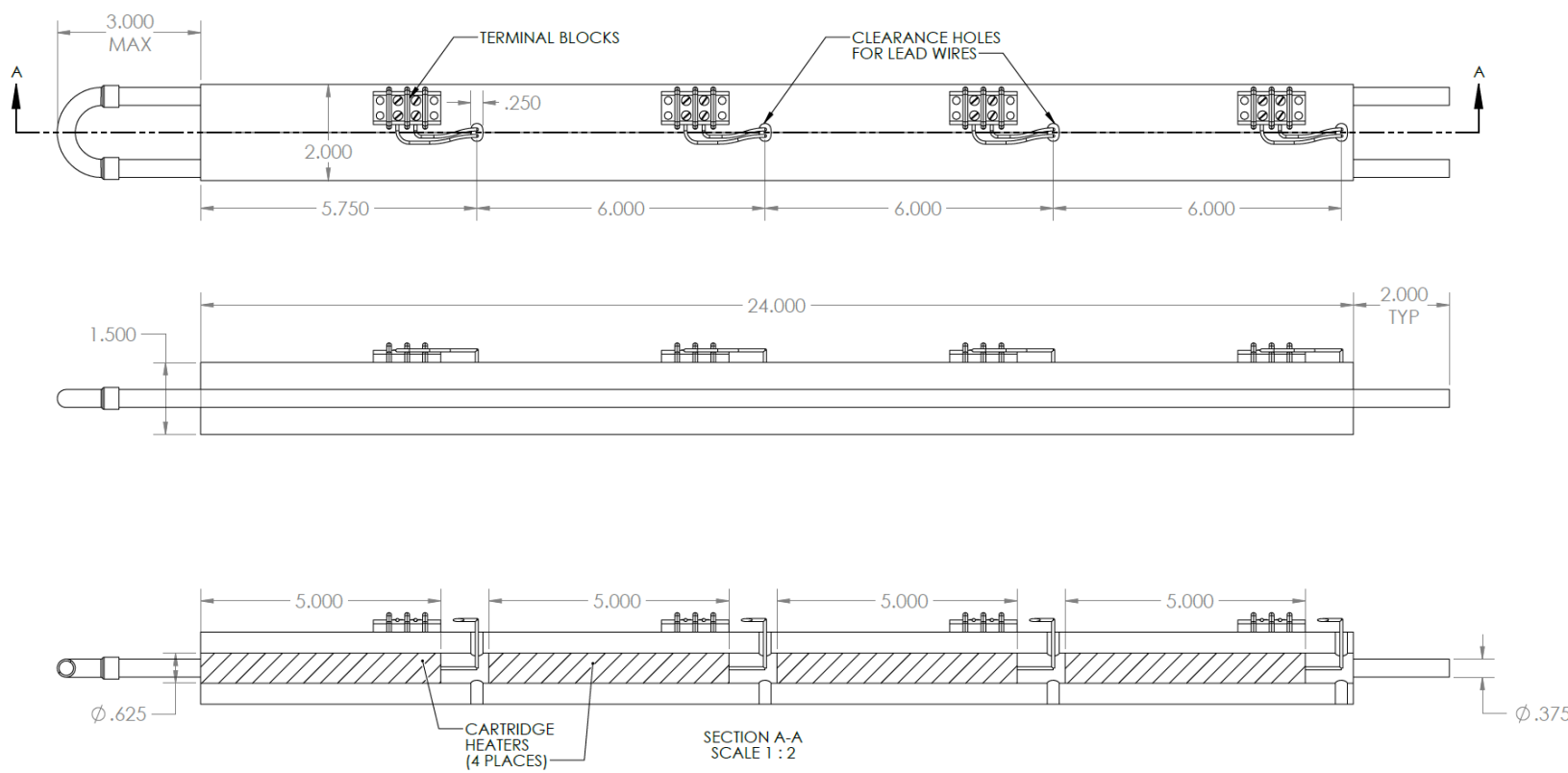
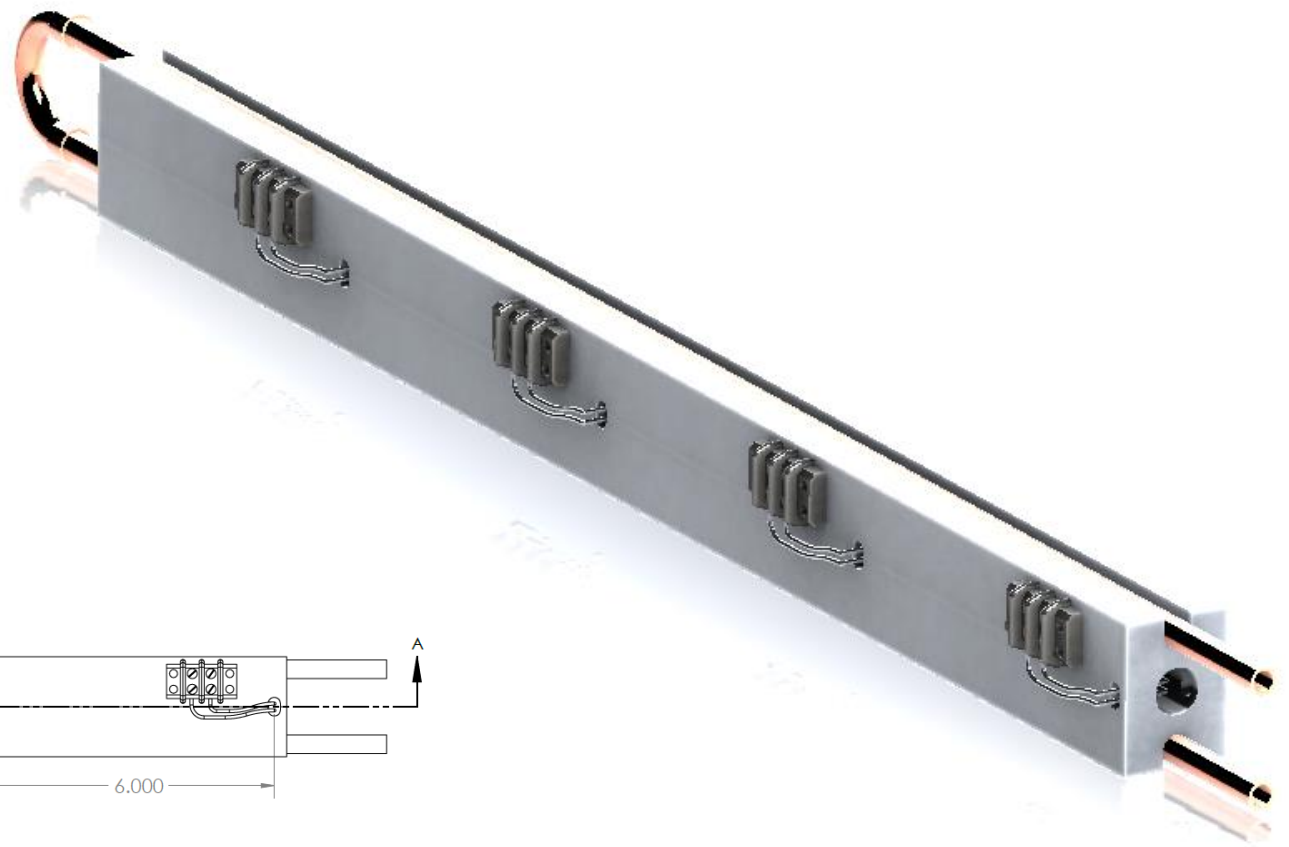


# LOAD BANK 24" LONG

Part#: LB-2400-X

## Parameters Used

Length: 24.0 in.  
 Cartridge Heater: Qty. 4  
 Tube: 0.375 OD, Copper  
 Fluid: Water  
 Fluid Temp in: 20°C



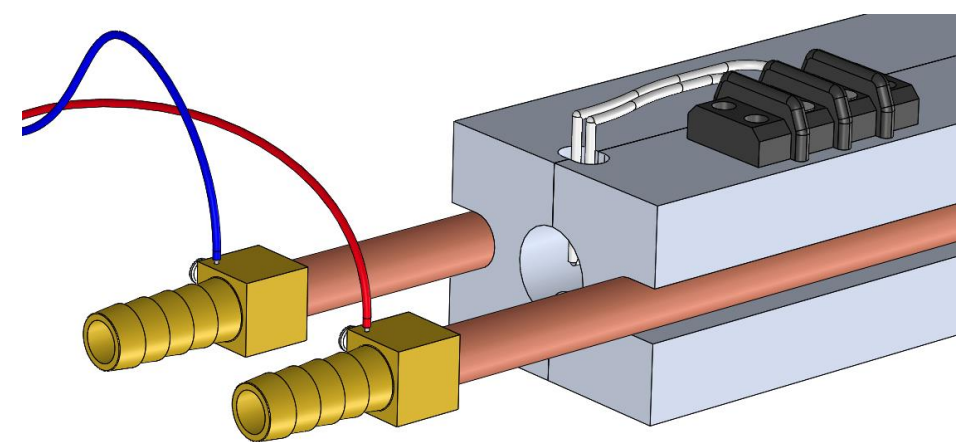
## Applications

- Batteries
- Power Supplies
- Generators
- Solar Panels

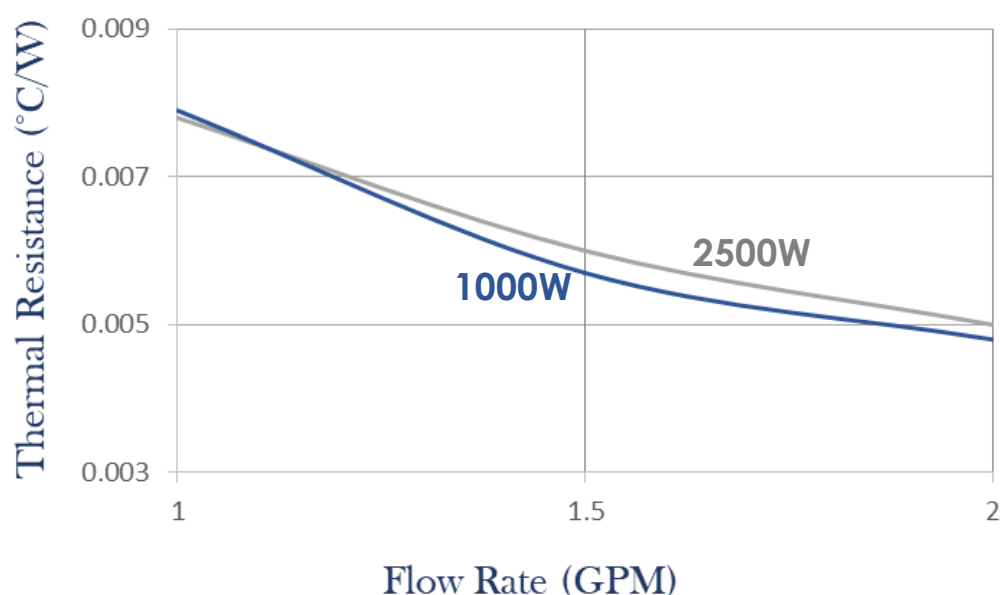
## Features

Figure A

- Standard lengths available: (in.) 6.0, 12.0, 18.0 & 24.0
- Custom lengths and heat loads available
- D6 can supply installed fittings such as: threaded male & female NPTs, ferrules, quick-disconnects, soldered hose barbs with TC holes (Fig. A), and more.



## Thermal Performance



	Flow Rate (GPM)	Thermal Resistance (°C/W)	Pressure Drop (PSI)
Qty 4 1,000 W Heaters	1.0	0.0078	1.12
	1.5	0.0060	2.34
	2.0	0.0050	3.94
Qty 4 2,500 W Heaters	1.0	0.0079	1.25
	1.5	0.0057	2.25
	2.0	0.0048	3.83

- To calculate temperature rise, multiply thermal resistance by wattage dissipated.