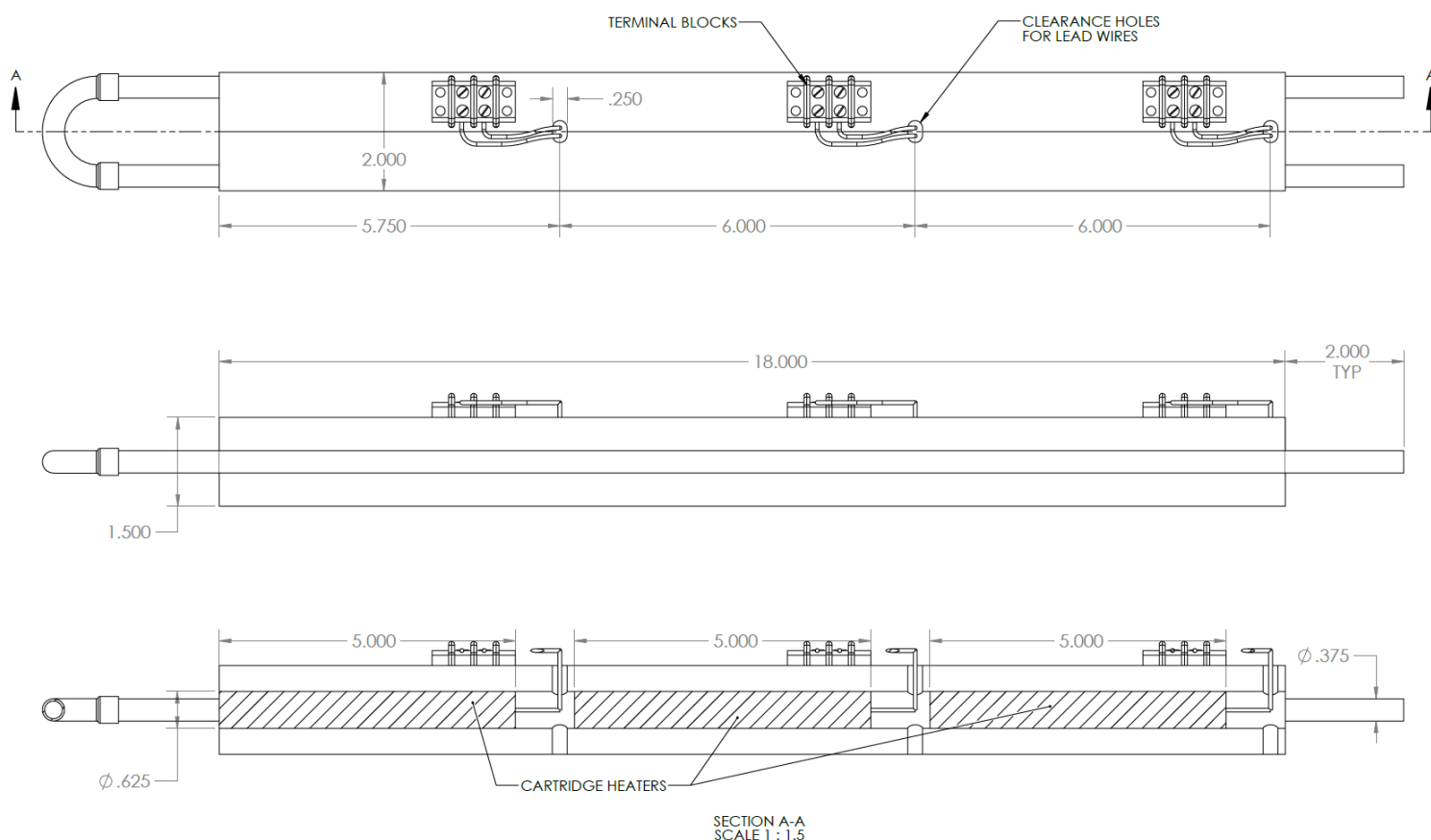
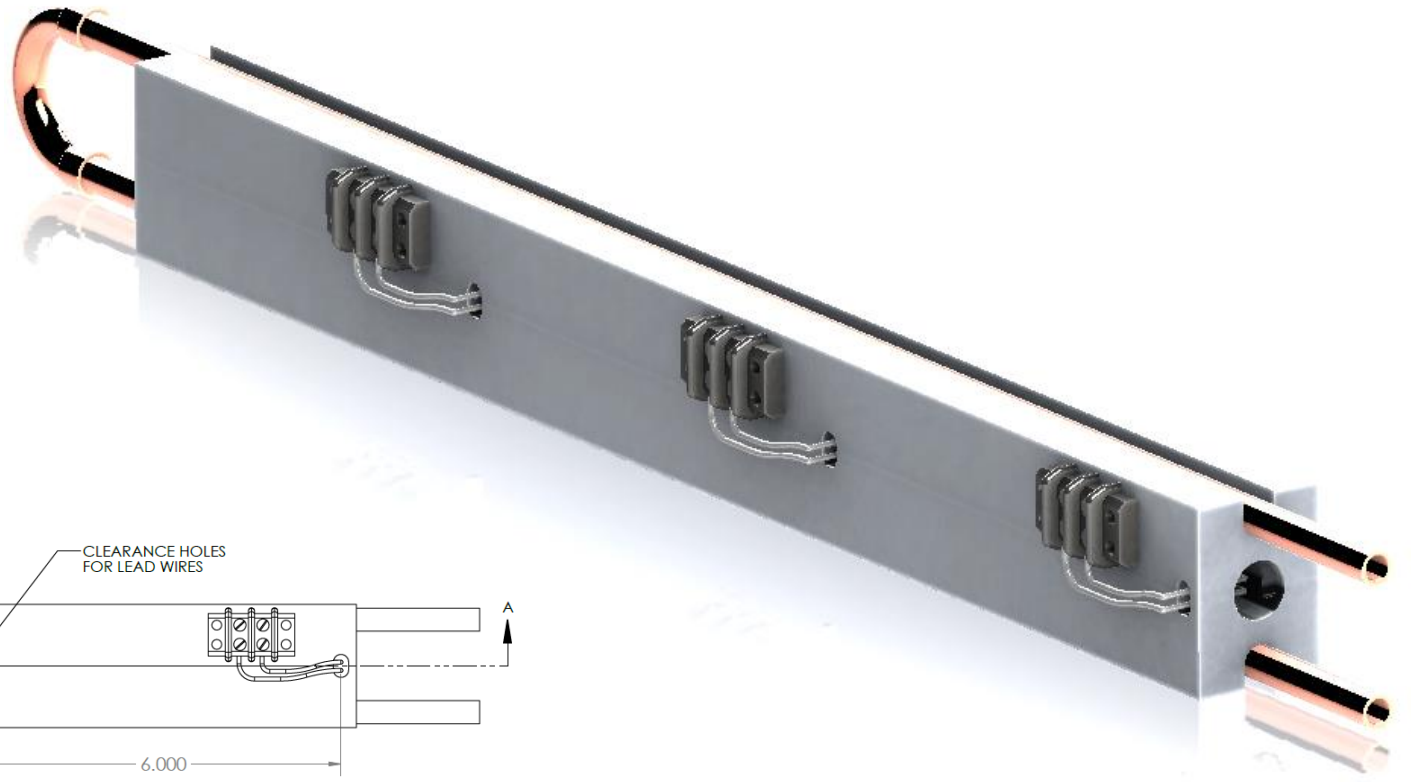


LOAD BANK 18" LONG

Part#: LB-1800-X

Parameters Used

Length: 18.0 in.
 Cartridge Heater: Qty. 3
 Tube: 0.375 OD, Copper
 Fluid: Water
 Fluid Temp in: 20°C



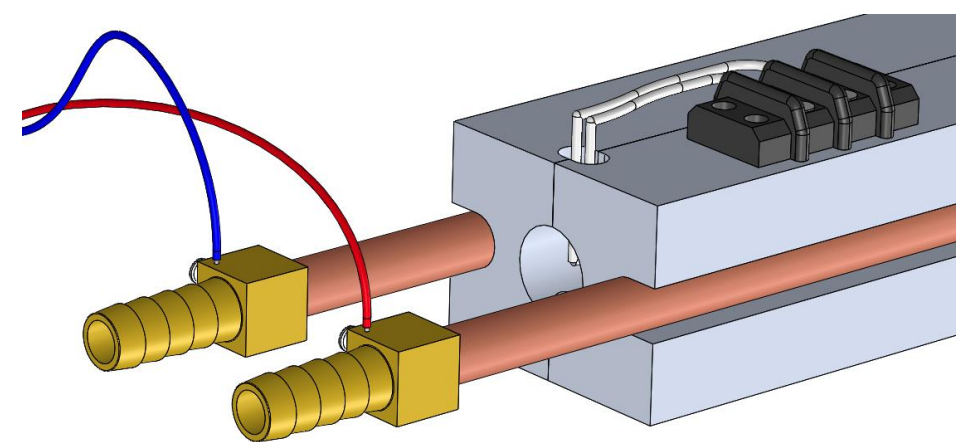
Applications

- Batteries
- Power Supplies
- Generators
- Solar Panels

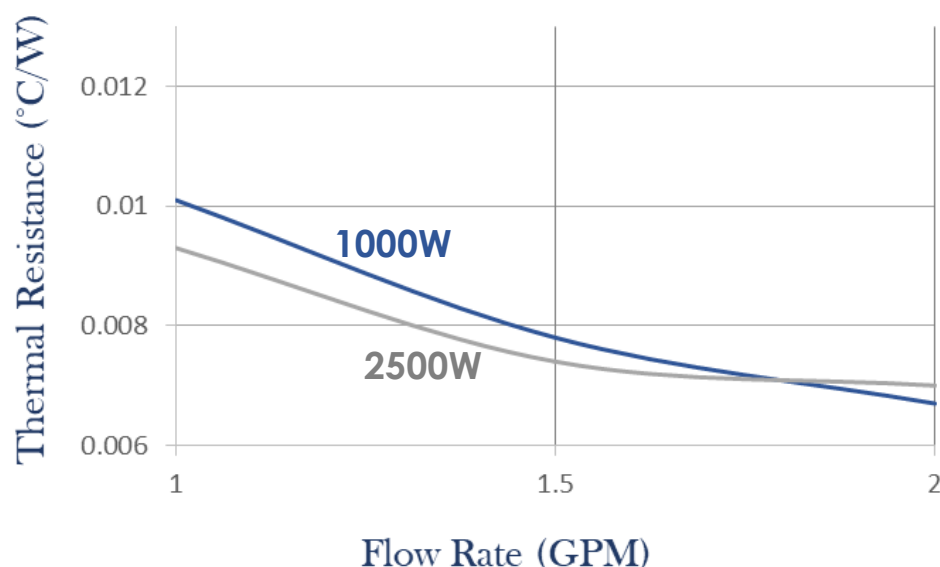
Features

- Standard lengths available: (in.) 6.0, 12.0, 18.0 & 24.0
- Custom lengths and heat loads available
- D6 can supply installed fittings such as: threaded male & female NPTs, ferrules, quick-disconnects, soldered hose barbs with TC holes (Fig. A), and more.

Figure A



Thermal Performance



	Flow Rate (GPM)	Thermal Resistance (°C/W)	Pressure Drop (PSI)
Qty 3 1,000 W Heaters	1.0	0.0101	0.91
	1.5	0.0078	1.91
	2.0	0.0067	3.22
Qty 3 2,500 W Heaters	1.0	0.0093	0.87
	1.5	0.0074	1.85
	2.0	0.0070	3.67

- To calculate temperature rise, multiply thermal resistance by wattage dissipated.