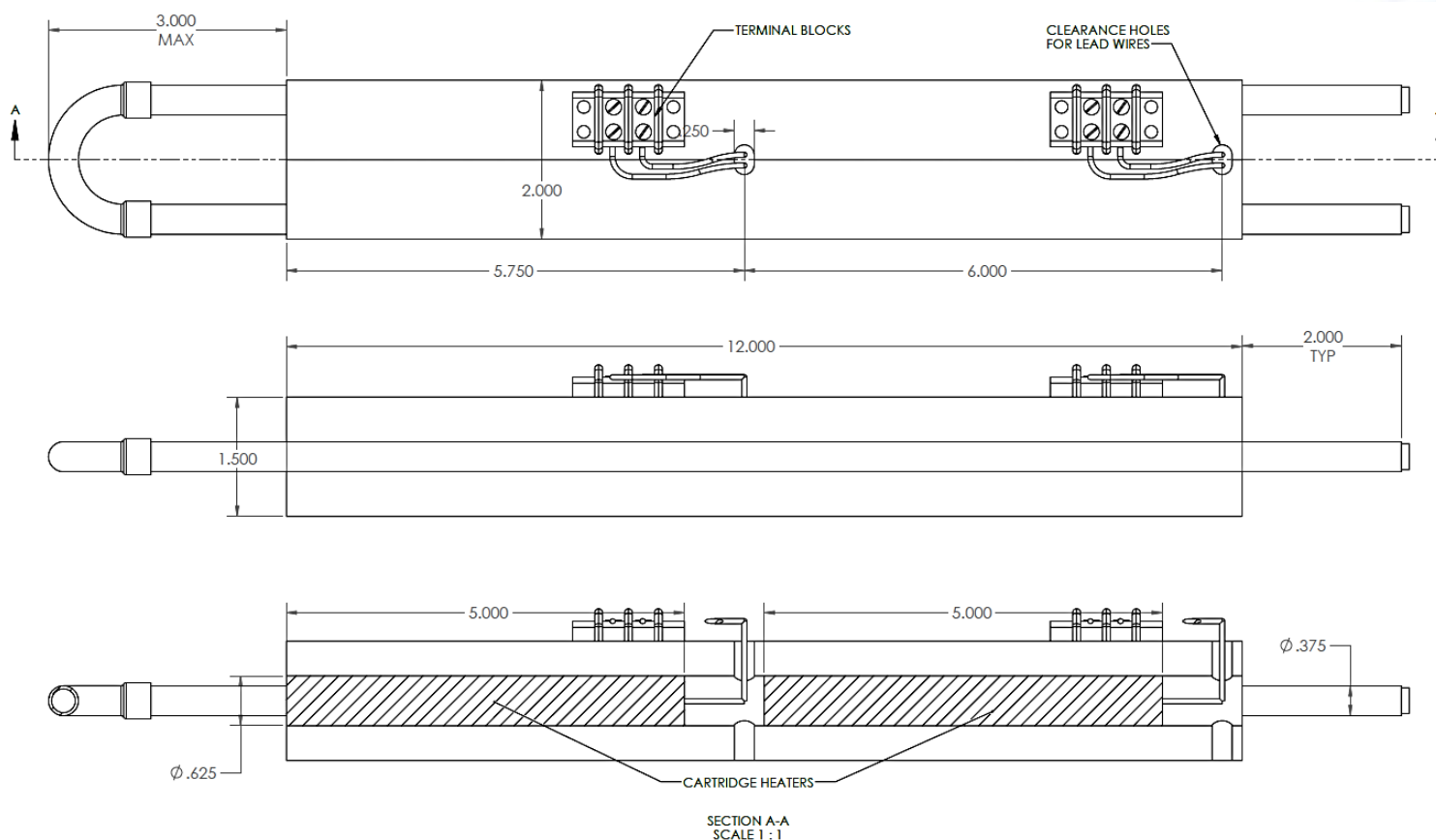
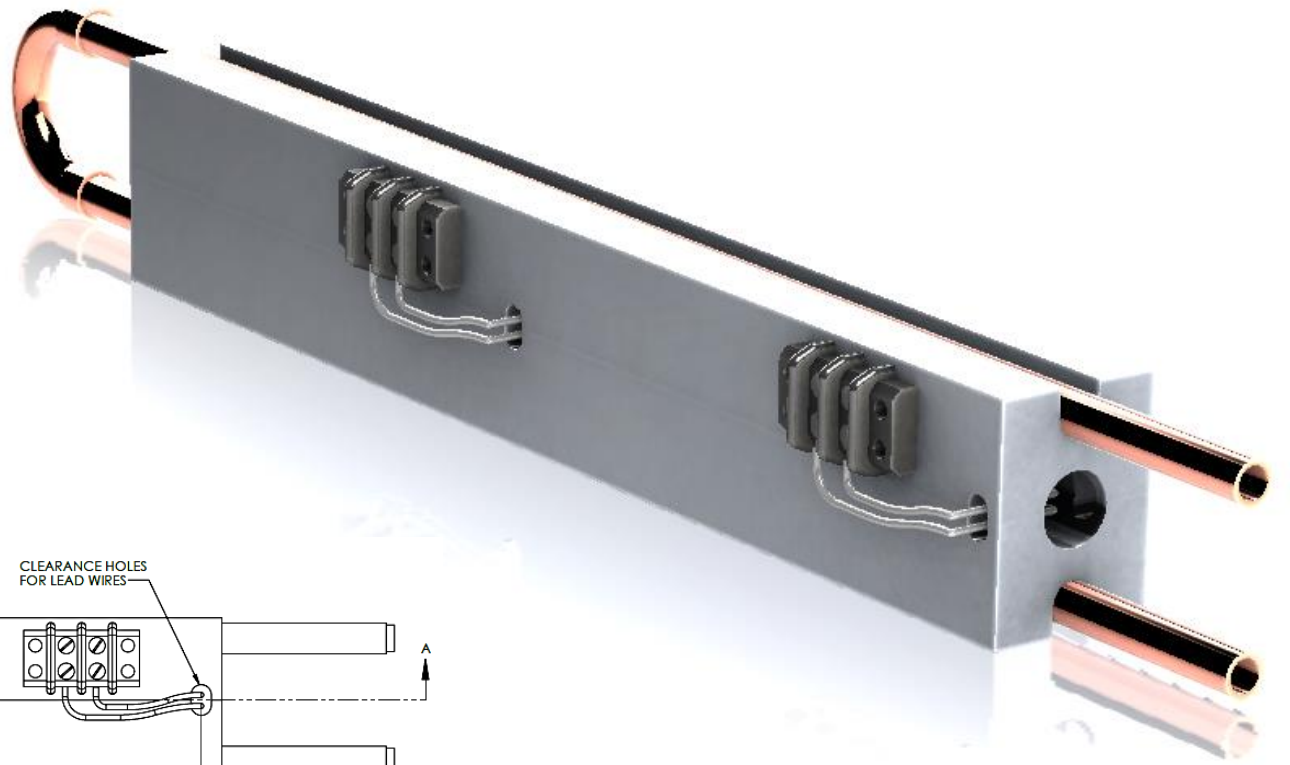


LOAD BANK 12" LONG

Part#: LB-1200-X

Parameters Used

Length: 12.0 in.
 Cartridge Heater: Qty. 2
 Tube: 0.375 OD, Copper
 Fluid: Water
 Fluid Temp in: 20°C



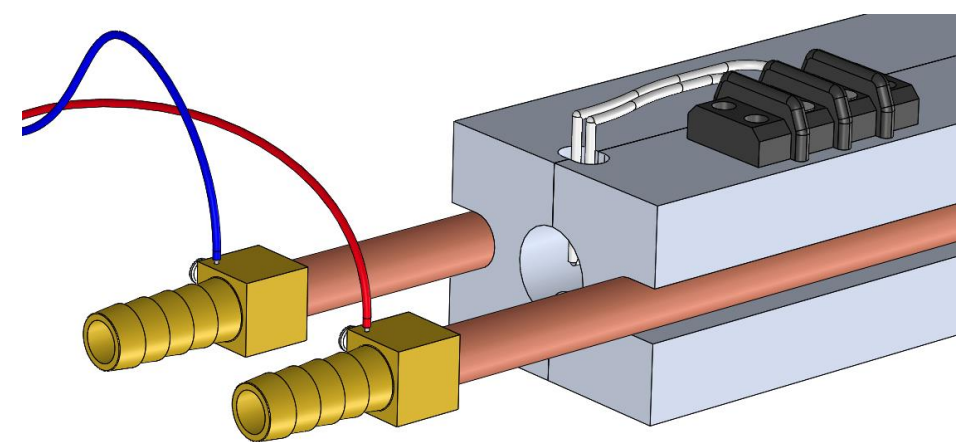
Applications

- Batteries
- Power Supplies
- Generators
- Solar Panels

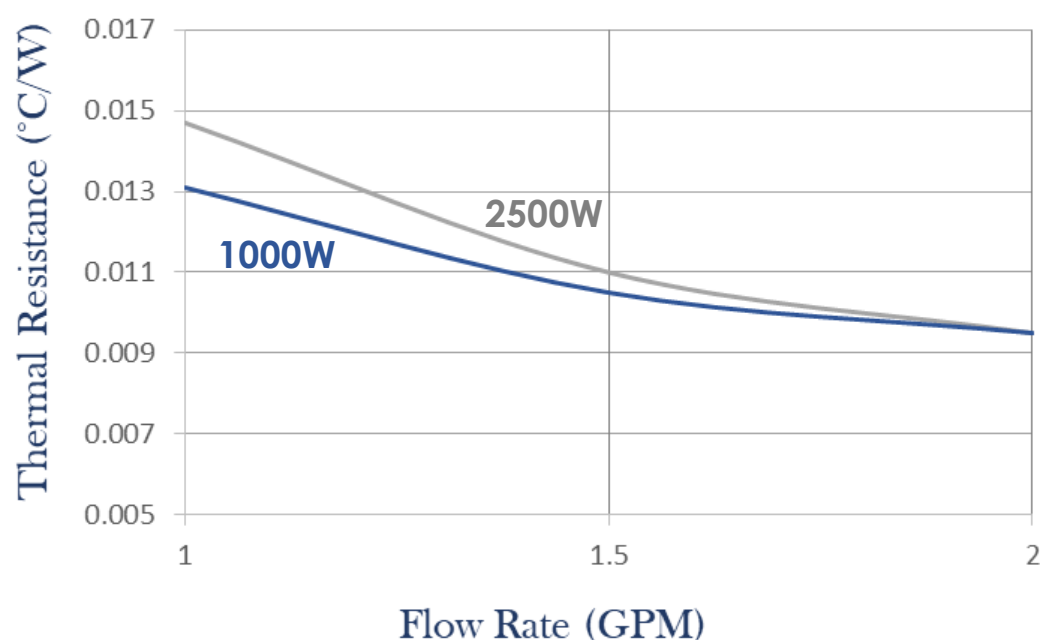
Features

- Standard lengths available:
- (in.) 6.0, 12.0, 18.0 & 24.0
- Custom lengths and heat loads available
- D6 can supply installed fittings such as: threaded male & female NPTs, ferrules, quick-disconnects, soldered hose barbs with TC holes (Fig. A), and more.

Figure A



Thermal Performance



	Flow Rate (GPM)	Thermal Resistance (°C/W)	Pressure Drop (PSI)
Qty 2 1,000 W Heaters	1	0.0147	0.67
	1.5	0.0110	1.45
	2	0.0095	2.45
Qty 2 2,500 W Heaters	1	0.0131	0.66
	1.5	0.0105	1.42
	2	0.0095	2.58

- To calculate temperature rise, multiply thermal resistance by wattage dissipated.