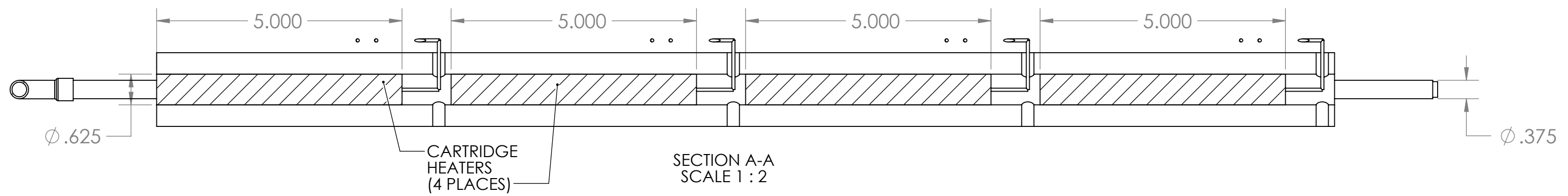
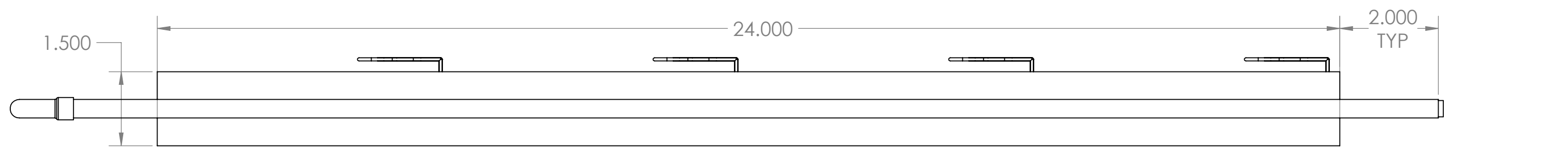
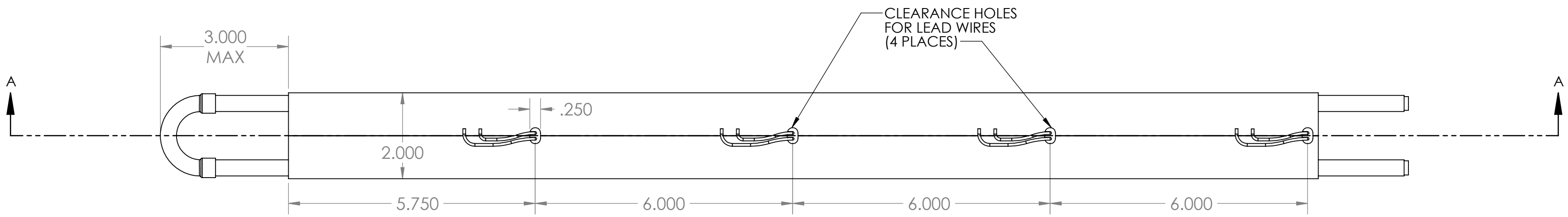


4

3

2

1



PROPRIETARY AND CONFIDENTIAL
 THE INFORMATION CONTAINED IN THIS DRAWING IS THE SOLE PROPERTY OF D6 INDUSTRIES. ANY REPRODUCTION IN PART OR AS A WHOLE WITHOUT THE WRITTEN PERMISSION OF D6 INDUSTRIES IS PROHIBITED.

UNLESS OTHERWISE SPECIFIED:		NAME	DATE
DIMENSIONS ARE IN INCHES			
TOLERANCES:			
FRACTIONAL \pm			
ANGULAR: MACH \pm BEND \pm			
TWO PLACE DECIMAL \pm			
THREE PLACE DECIMAL \pm			
INTERPRET GEOMETRIC TOLERANCING PER:			
MATERIAL			
FINISH			
DO NOT SCALE DRAWING			
DRAWN			
CHECKED			
ENG APPR.			
MFG APPR.			
Q.A.			
COMMENTS:			
TITLE: LB-2400-X			
SIZE C	DWG. NO.	REV	
SCALE:	WEIGHT:	SHEET 1 OF 1	

4

3

2

1

D

D

C

C

B

B

A

A