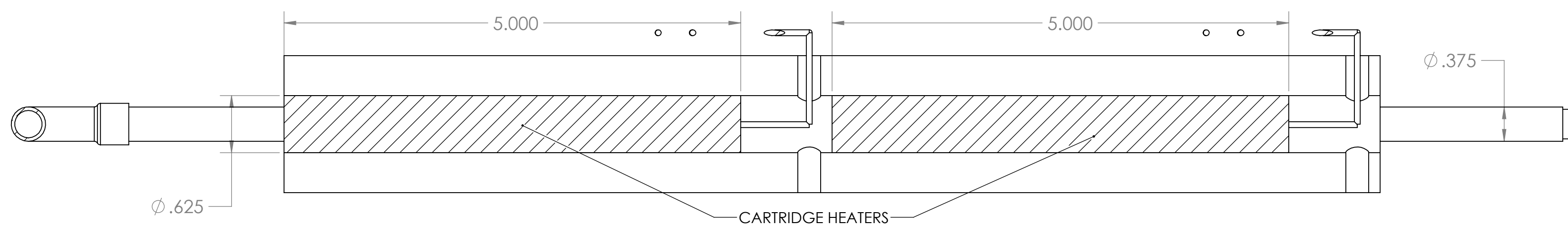
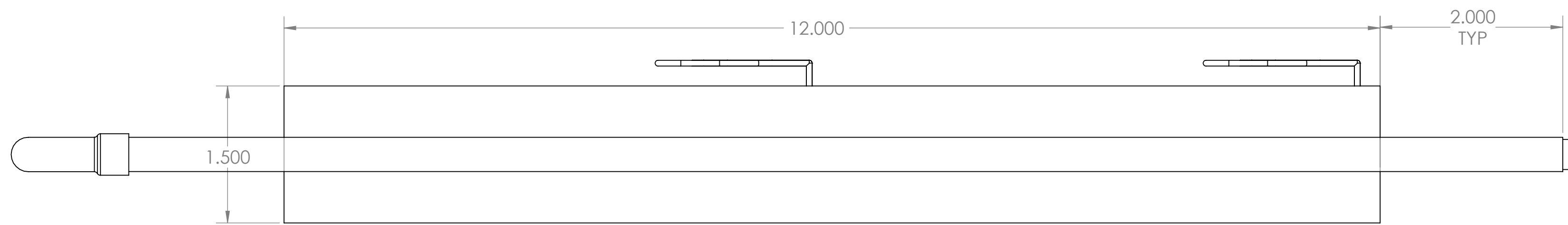
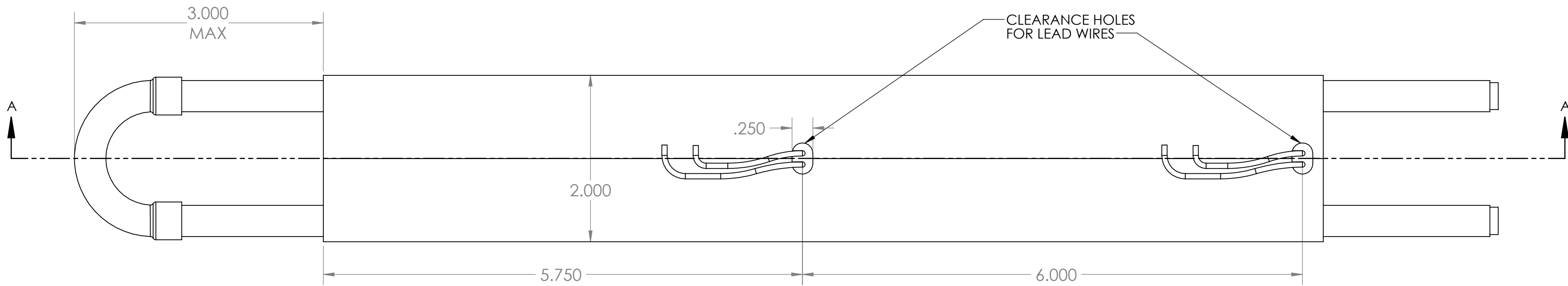


4

3

2

1



D6

601 S UNION ST.
LAWRENCE, MA 01843
978-989-0981

PROPRIETARY AND CONFIDENTIAL

THE INFORMATION CONTAINED IN THIS DRAWING IS THE SOLE PROPERTY OF D6 INDUSTRIES. ANY REPRODUCTION IN PART OR AS A WHOLE WITHOUT THE WRITTEN PERMISSION OF D6 INDUSTRIES IS PROHIBITED.

UNLESS OTHERWISE SPECIFIED:		NAME	DATE
DIMENSIONS ARE IN INCHES		DRAWN	
TOLERANCES:		CHECKED	
FRACTIONAL ±		ENG APPR.	
ANGULAR: MACH ± BEND ±		MFG APPR.	
TWO PLACE DECIMAL ±		Q.A.	
THREE PLACE DECIMAL ±		COMMENTS:	
INTERPRET GEOMETRIC TOLERANCING PER:	MATERIAL		
FINISH			
DO NOT SCALE DRAWING			

TITLE:		LB-1200-X	
SIZE	DWG. NO.	REV	
C			
SCALE:	WEIGHT:	SHEET 1 OF 1	

4

3

2

1

D

D

C

C

B

B

A

A