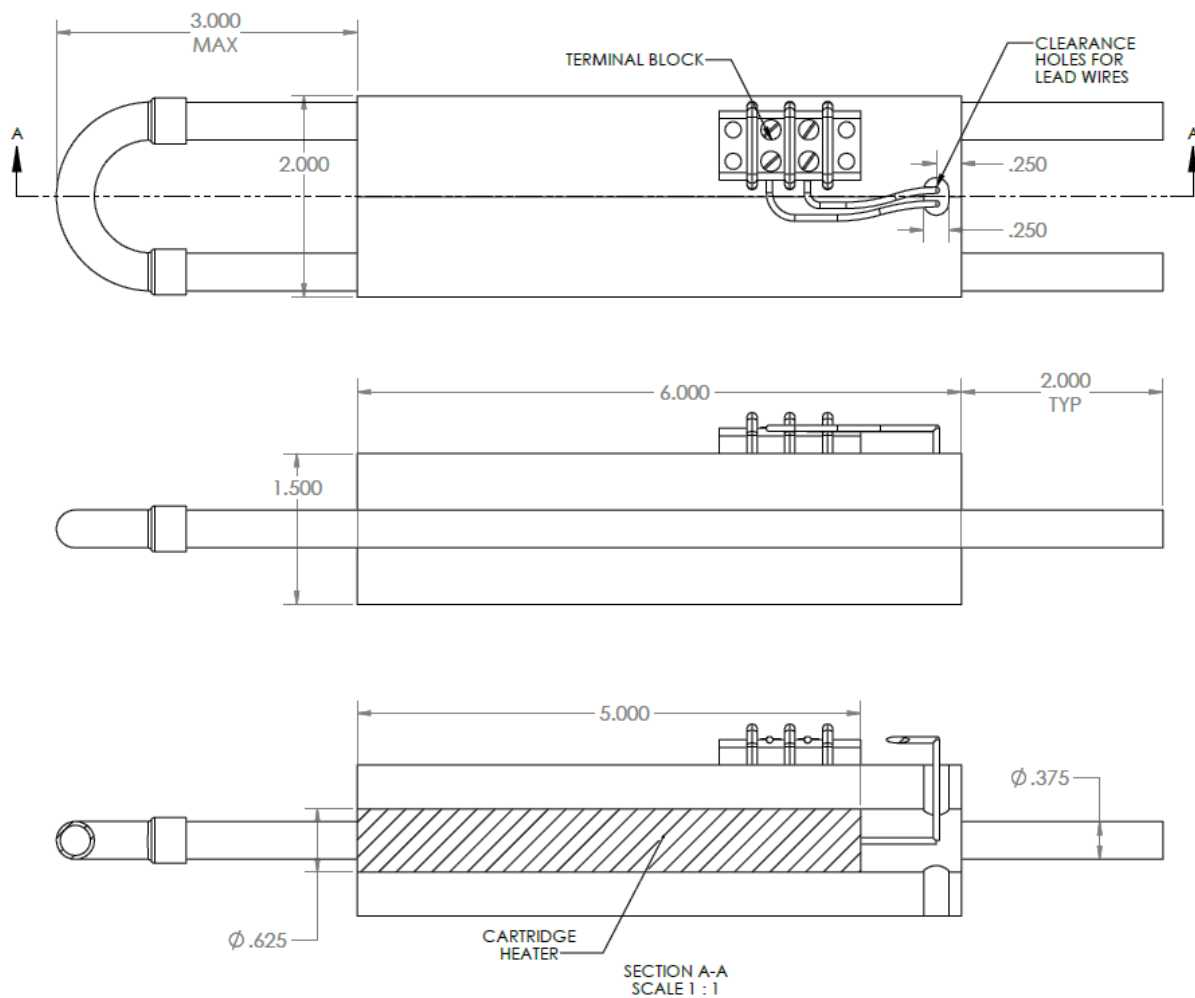


LOAD BANK 6" LONG

Part#: LB-0600-X

Parameters Used

Length: 6.0 in.
 Cartridge Heater: Qty. 1
 Tube: 0.375 OD, Copper
 Fluid: Water
 Fluid Temp in: 20°C



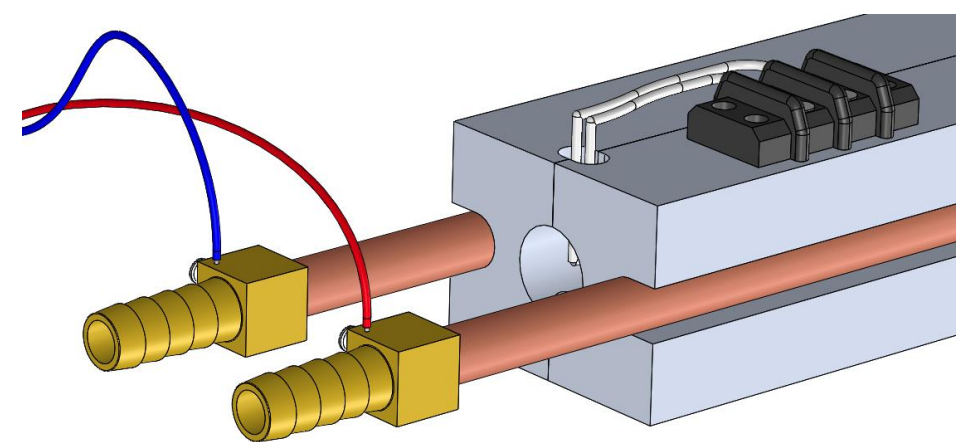
Applications

- Batteries
- Power Supplies
- Generators
- Solar Panels

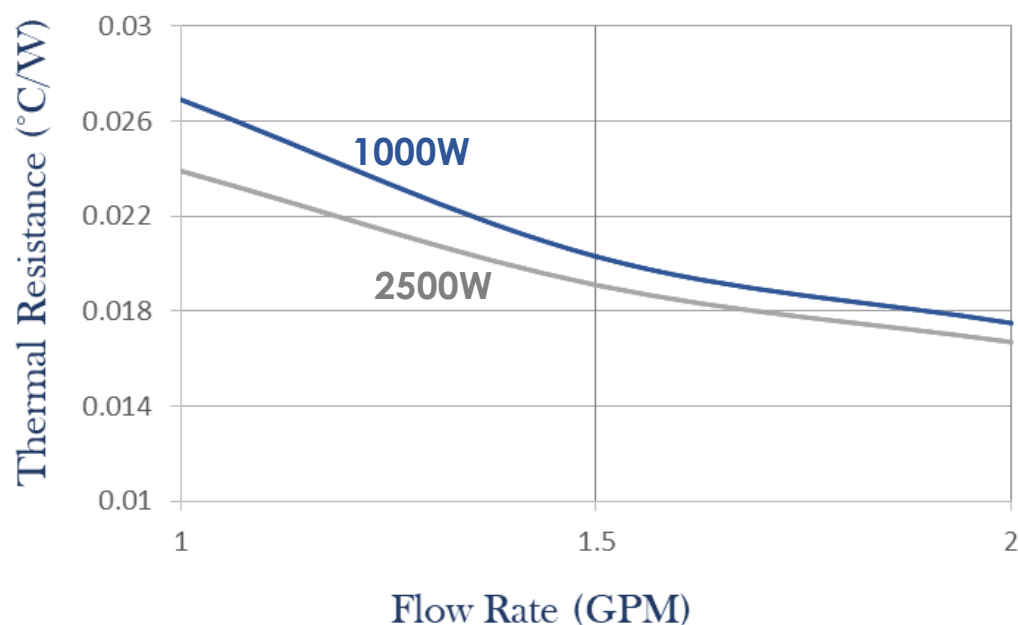
Features

- Standard lengths available: (in.) 6.0, 12.0, 18.0 & 24.0
- Custom lengths and heat loads available
- D6 can supply installed fittings such as: threaded male & female NPTs, ferrules, quick-disconnects, soldered hose barbs with TC holes (Fig. A), and more.

Figure A



Thermal Performance



	Flow Rate (GPM)	Thermal Resistance (°C/W)	Pressure Drop (PSI)
Qty 1 1,000 W Heater	1	0.0269	0.53
	1.5	0.0203	0.99
	2	0.0175	1.67
Qty 1 2,500 W Heater	1	0.0239	0.45
	1.5	0.0191	0.97
	2	0.0167	1.65

- To calculate temperature rise, multiply thermal resistance by wattage dissipated.