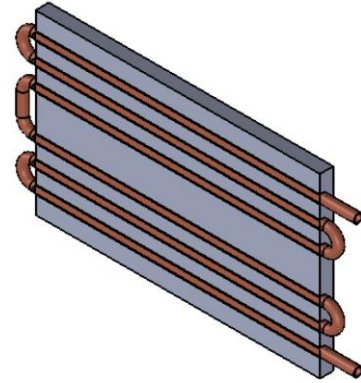


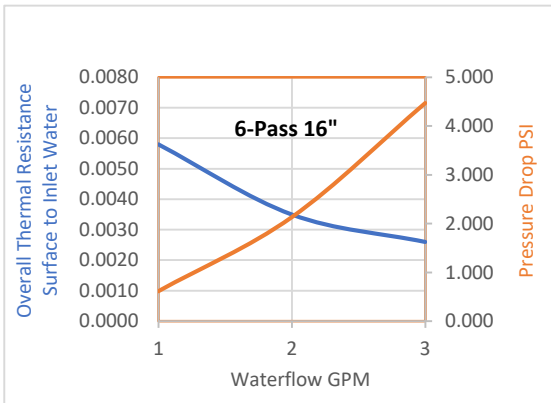


## Hydroblok 6-PASS COLD PLATE

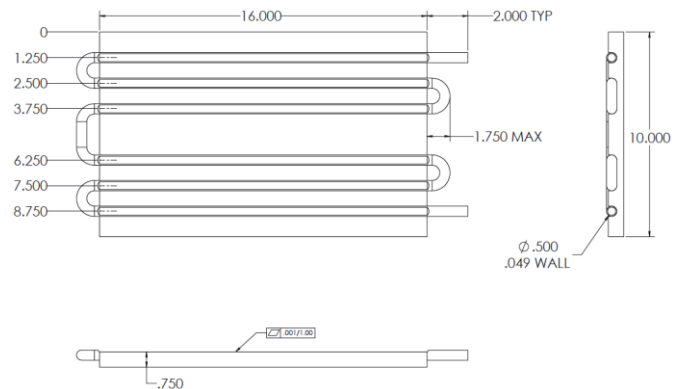
D6 Hydroblok 6 pass liquid cooled cold plates are a high-performance precision machined aluminum plate with continuous copper tube high-force pressed into a 6 pass configuration. Thermal performance is optimized through D6 proprietary manufacturing technique that ensures consistent thermal transfer from surface to fluid.



## THERMAL PERFORMANCE



## DRAWING



## FEATURE AND BENEFITS

- Fly-cut tube surface ensure precision flatness & optimal thermal performance
- Machinable for device mounting and other machining requirements
- Easily customized to meet specific end design criteria

## OPTIONS

### Material Options

- Tube: Copper (shown), Aluminum, Stainless Steel
- Base: Aluminum (shown), Copper

## D6 also supplies the following items for your convenience



- Beaded tube ends, flared tube ends, threaded male & female fittings to accept hose barbs or other fittings.



- Thermal compounds; silicone & non-silicone. See the D6 web site for available sizes.