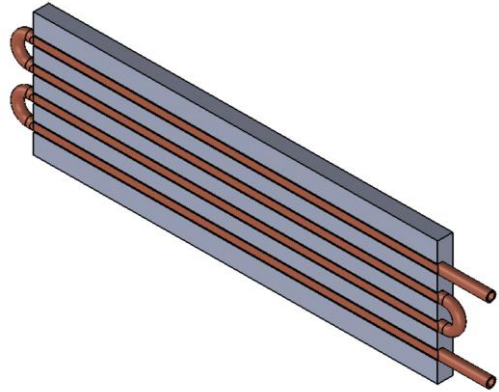


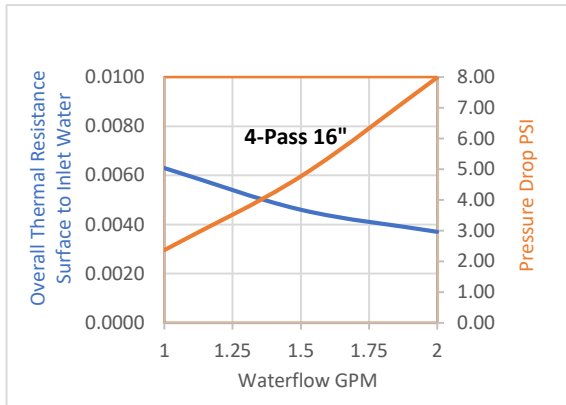


## Hydroblok 4-PASS COLD PLATE

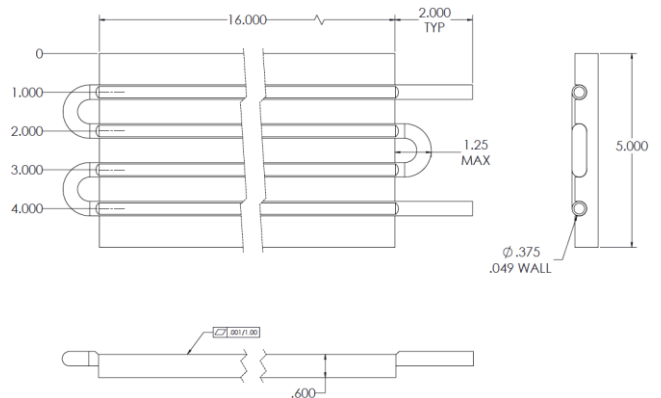
D6 Hydroblok 4 pass liquid cooled cold plates are a high-performance precision machined aluminum plate with continuous copper tube high-force pressed into a 4 pass configuration. Thermal performance is optimized through D6 proprietary manufacturing technique that ensures consistent thermal transfer from surface to fluid.



### THERMAL PERFORMANCE



### DRAWING



### FEATURE AND BENEFITS

- Fly-cut tube surface ensure precision flatness & optimal thermal performance
- Machinable for device mounting and other machining requirements
- Easily customized to meet specific end design criteria

### OPTIONS

#### Material Options

- Tube: Copper (shown), Aluminum, Stainless Steel
- Base: Aluminum (shown), Copper

### D6 also supplies the following items for your convenience



- Beaded tube ends, flared tube ends, threaded male & female fittings to accept hose barbs or other fittings.



- Thermal compounds; silicone & non-silicone. See the D6 web site for available sizes.