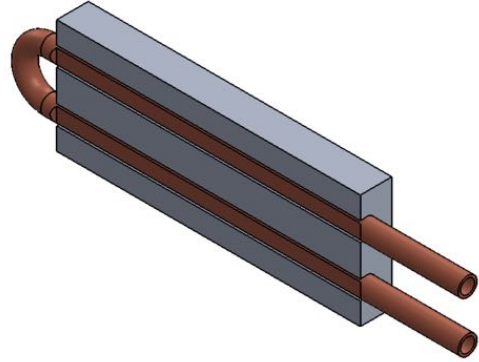




Hydroblok 2-PASS COLD PLATE

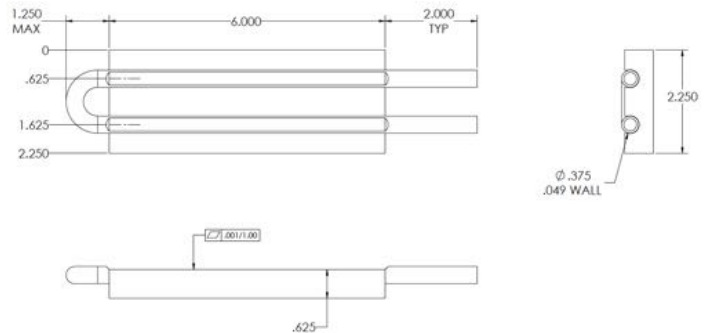
D6 Hydroblok 2 pass liquid cooled cold plates are a high-performance precision machined aluminum plate with continuous copper tube high-force pressed into a 2 pass configuration. Thermal performance is optimized through D6 proprietary manufacturing technique that ensures consistent thermal transfer from surface to fluid.



THERMAL PERFORMANCE

DRAWING

Consult factory for thermal analysis



FEATURE AND BENEFITS

- Fly-cut tube surface ensure precision flatness & optimal thermal performance
- Machinable for device mounting and other machining requirements
- Easily customized to meet specific end design criteria

OPTIONS

Material Options

- Tube: Copper (shown), Aluminum, Stainless Steel
- Base: Aluminum (shown), Copper

D6 also supplies the following items for your convenience



- Beaded tube ends, flared tube ends, threaded male & female fittings to accept hose barbs or other fittings.



- Thermal compounds; silicone & non-silicone. See the D6 web site for available sizes.