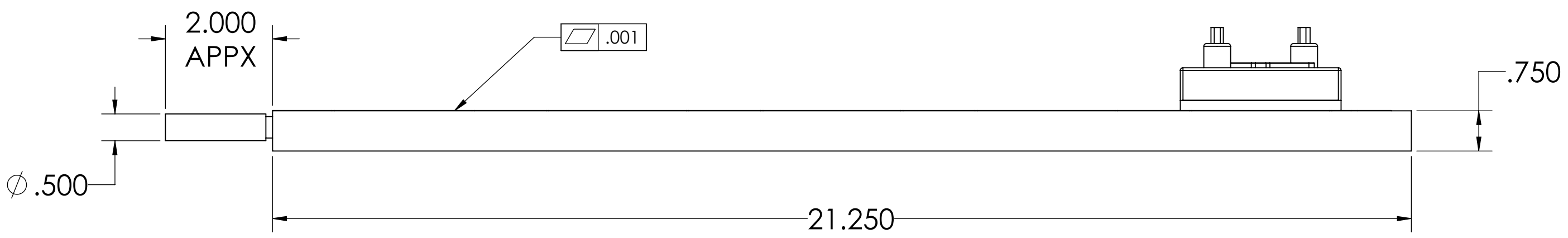
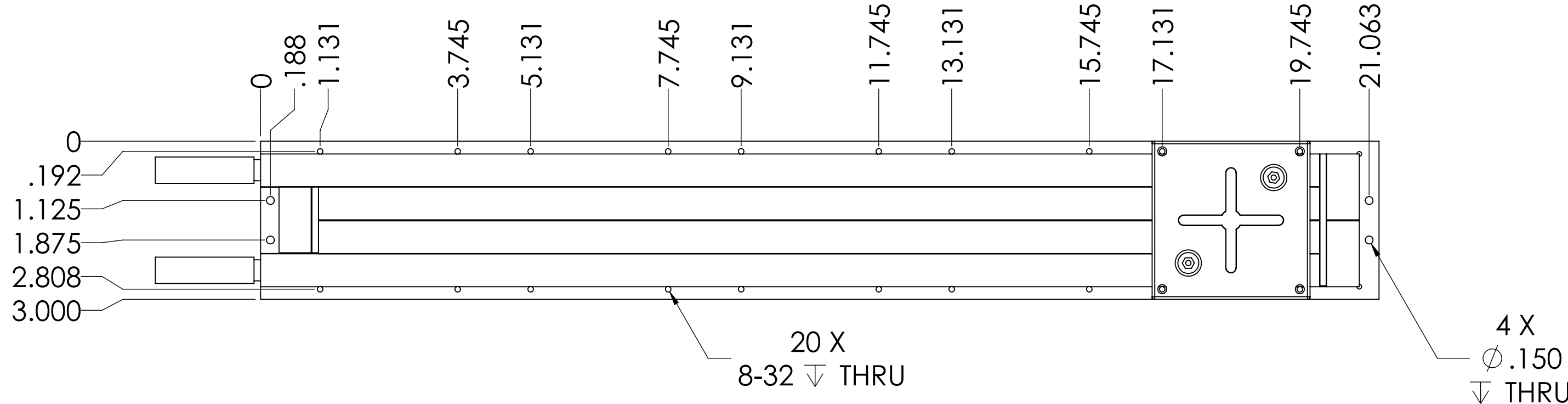
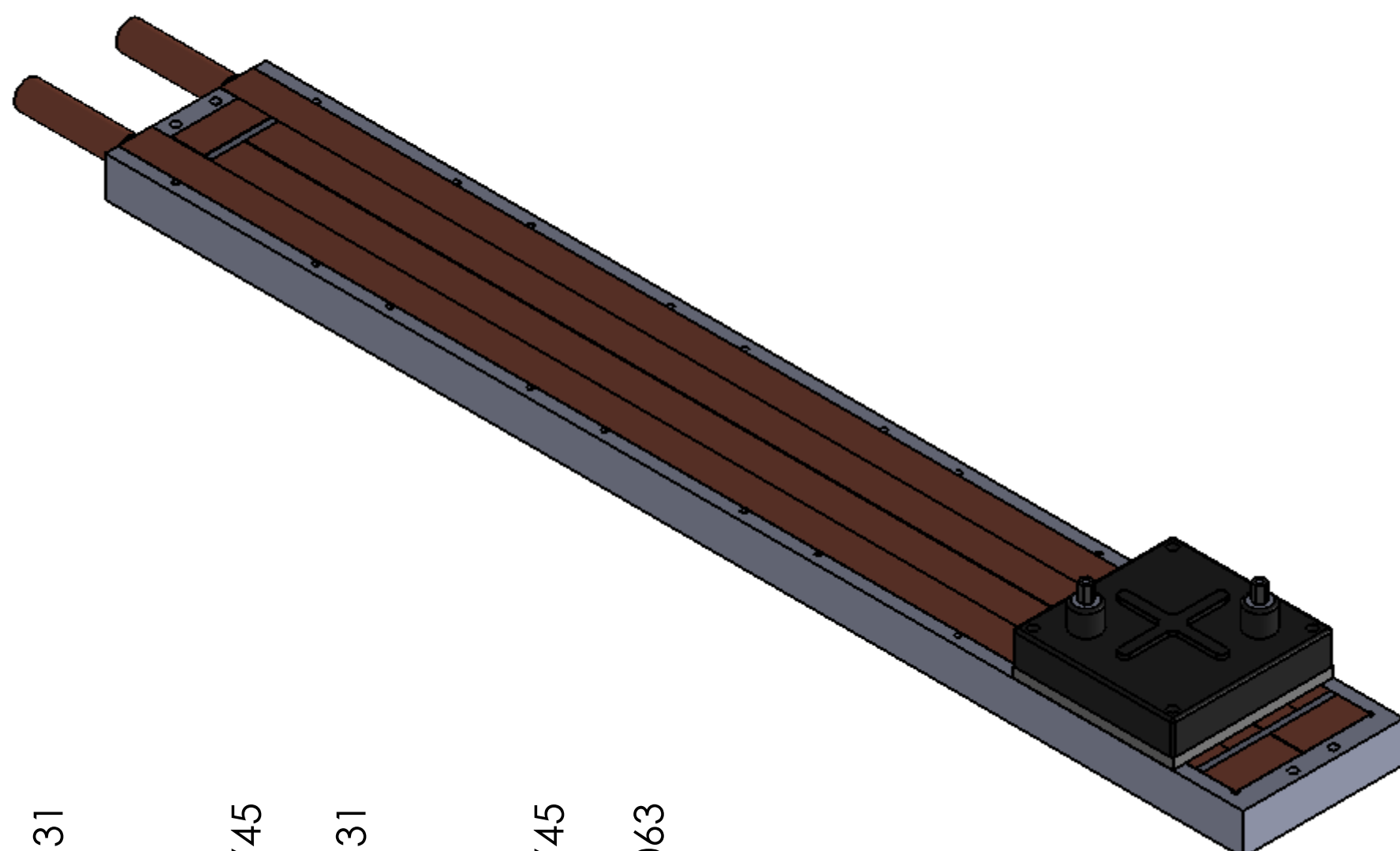


4

3

2

1



801 S UNION ST.
LAWRENCE, MA 01843
978-989-0981

HT-TAP2000-5

SIZE C	CAGE CODE	DWG NO. 50-0228	REV 1
SCALE 1:2		SHEET	

4

3

2

A