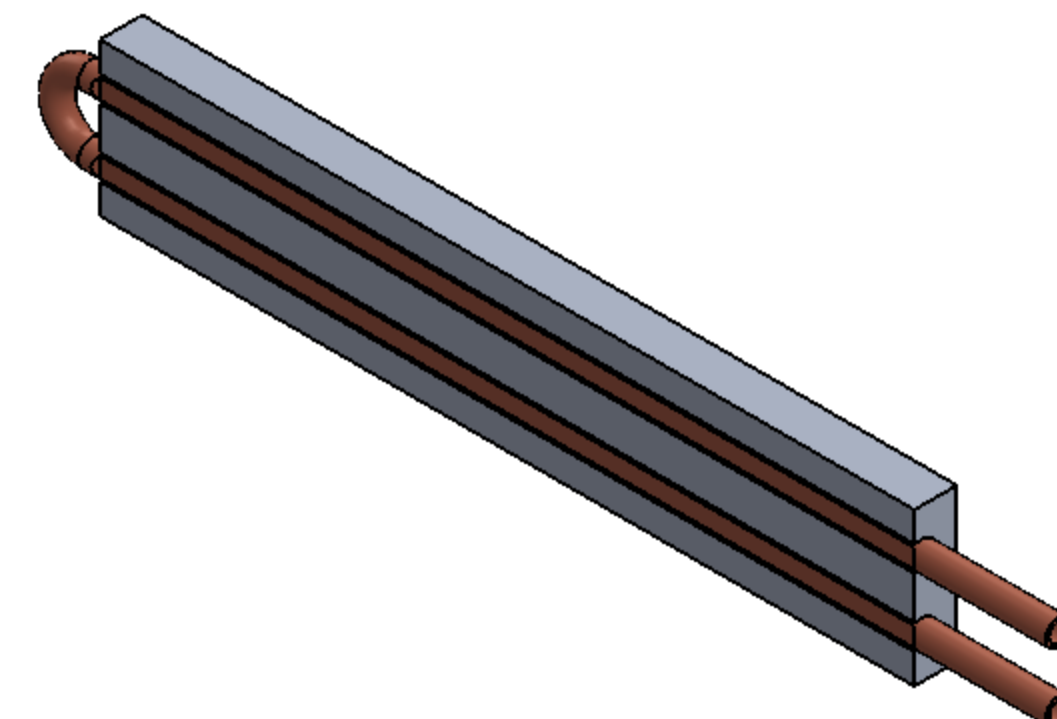


4

3

2

1



D

D

C

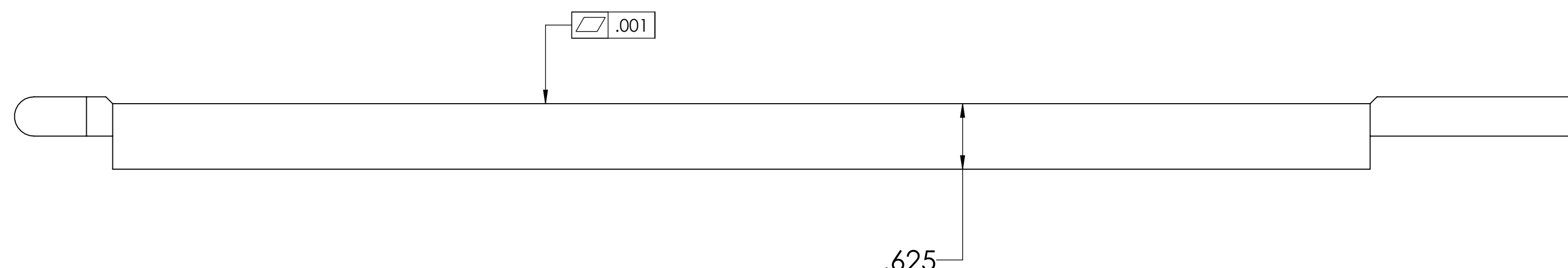
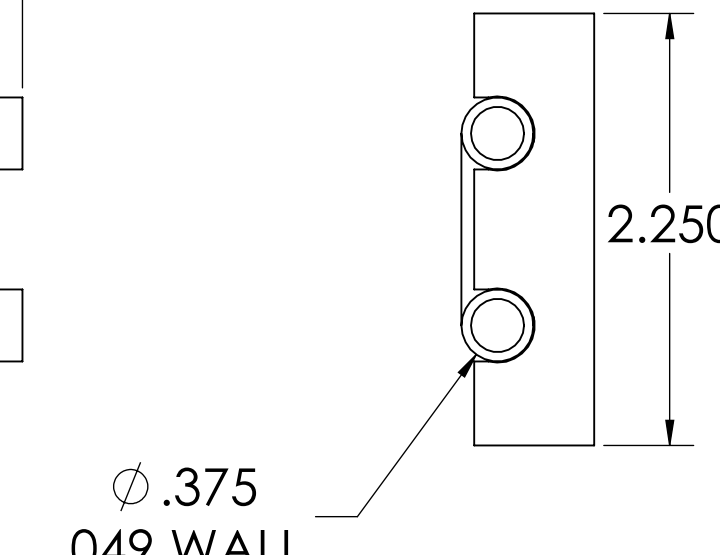
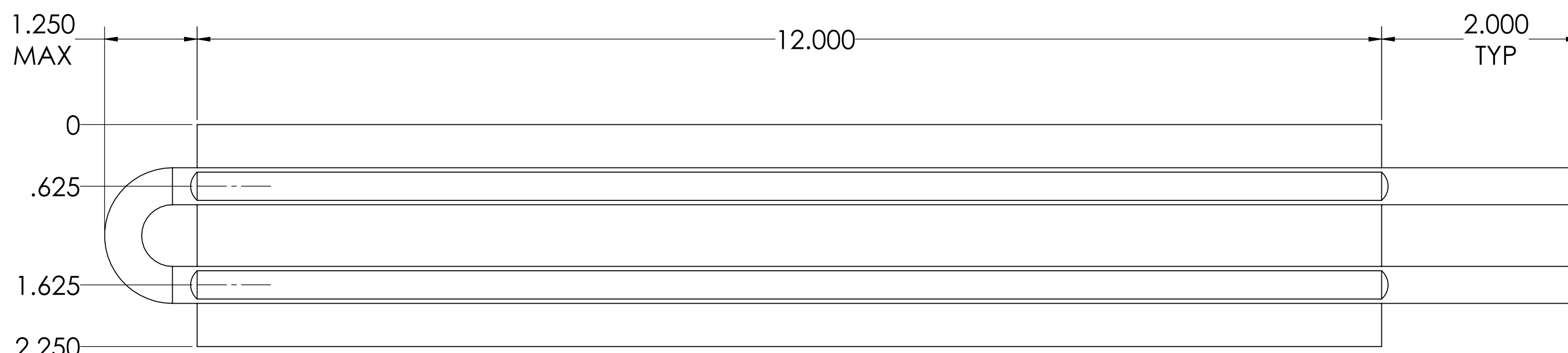
C

B

B

A

A



801 S UNION ST.  
LAWRENCE, MA 01843  
978-989-0981

# HB-2P-1200-CU-C

SIZE C	CAGE CODE	DWG NO. -	REV 0
SCALE 1:1	SHEET		