

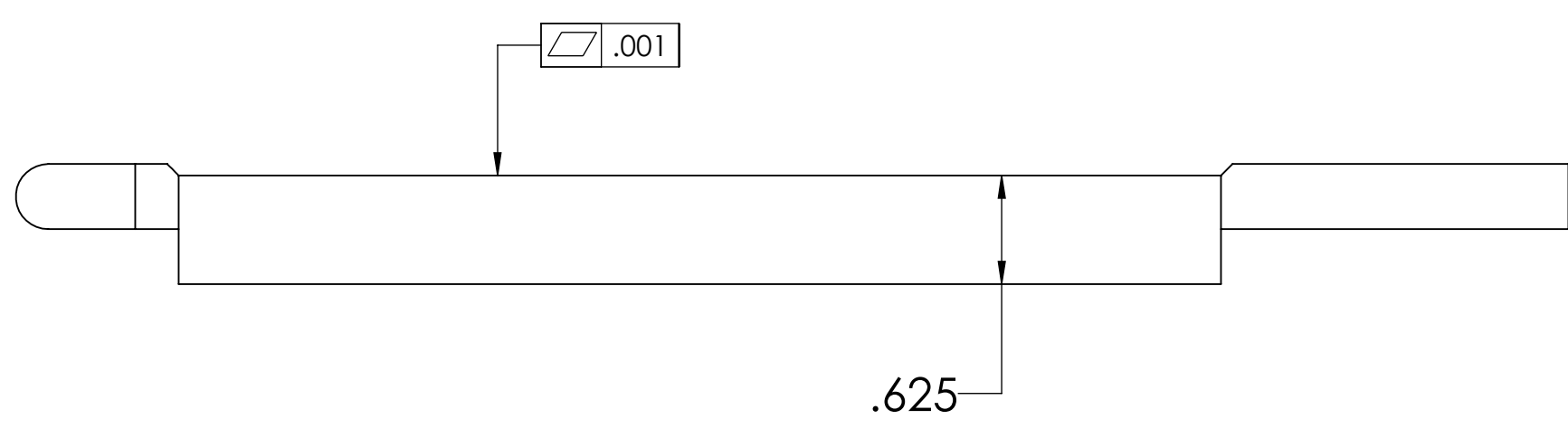
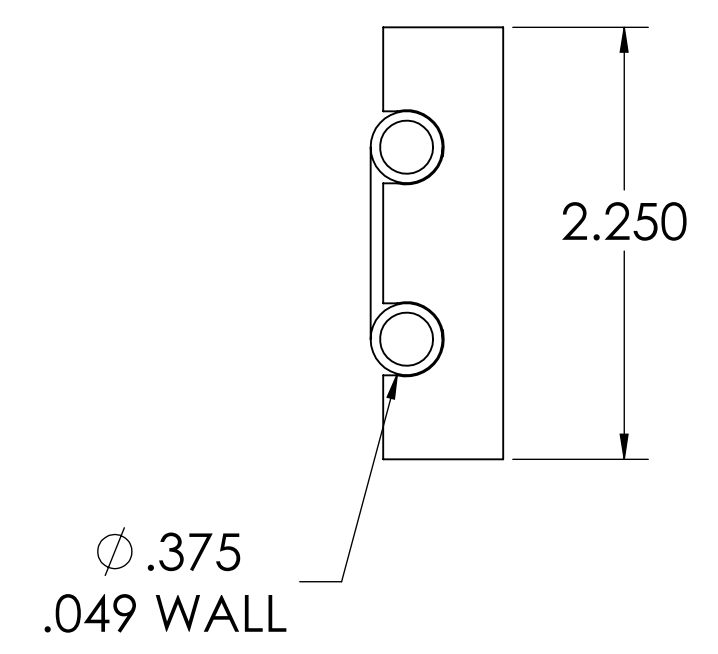
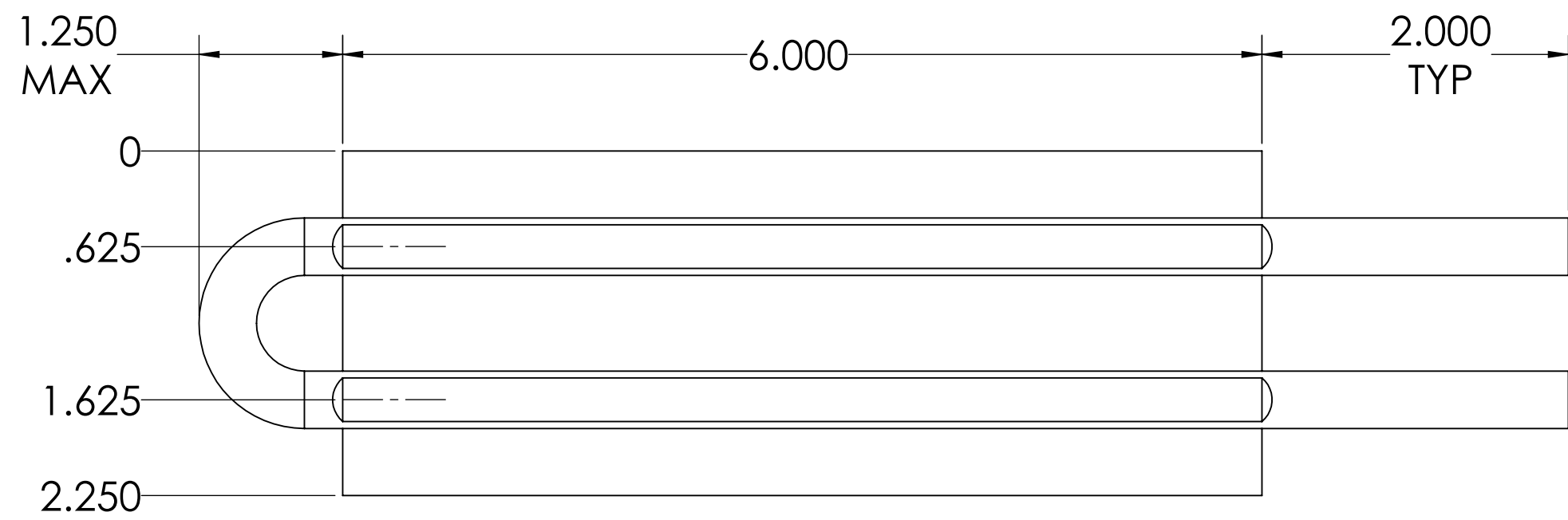
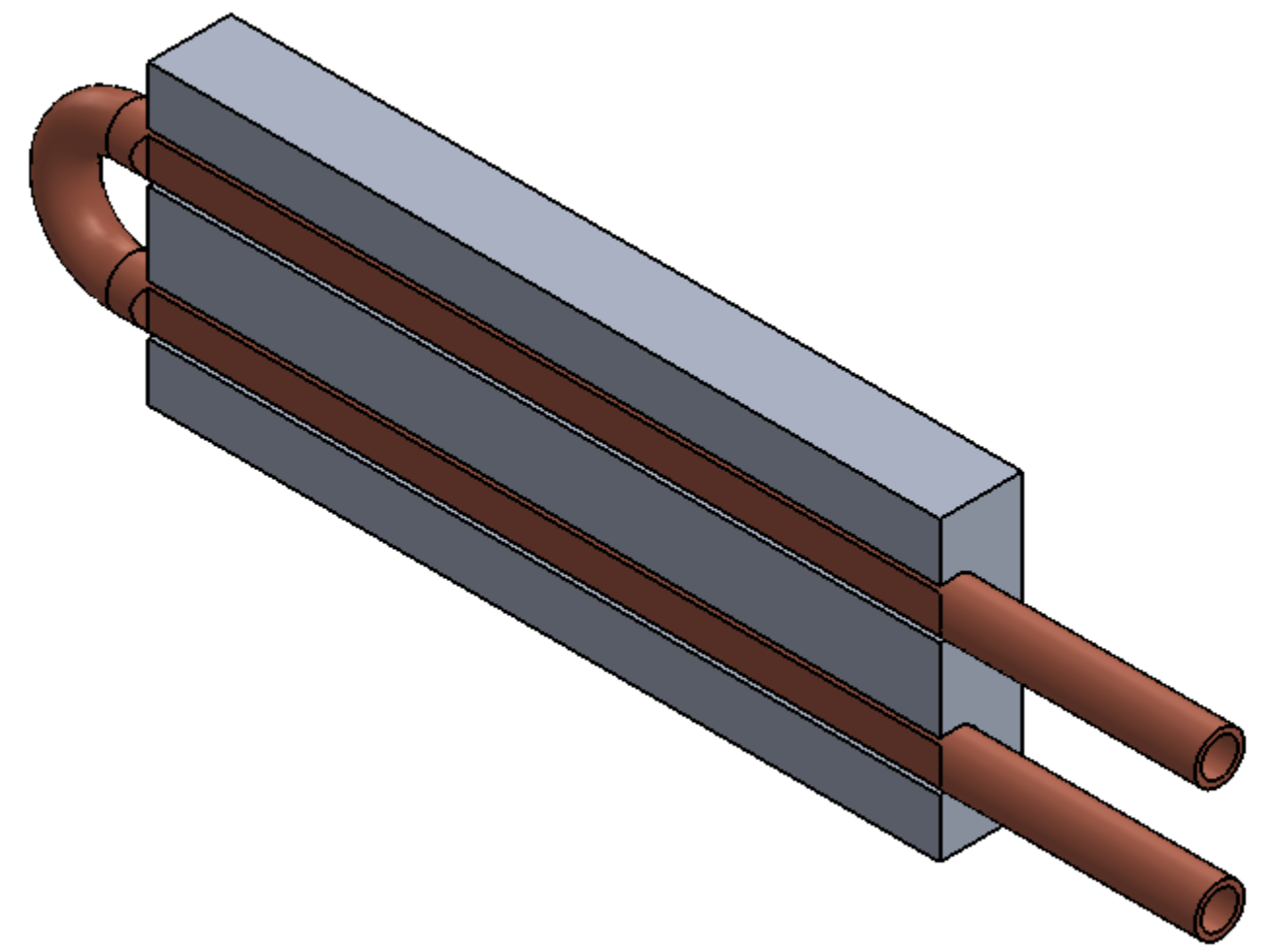
4 3 2 1

D

C

B

A



801 S UNION ST.  
LAWRENCE, MA 01843  
978-989-0981

HB-2P-0600-CU-C

SIZE C	CAGE CODE	DWG NO.	REV 0
SCALE 1:1	SHEET		