

4

3

2

1

D

D

C

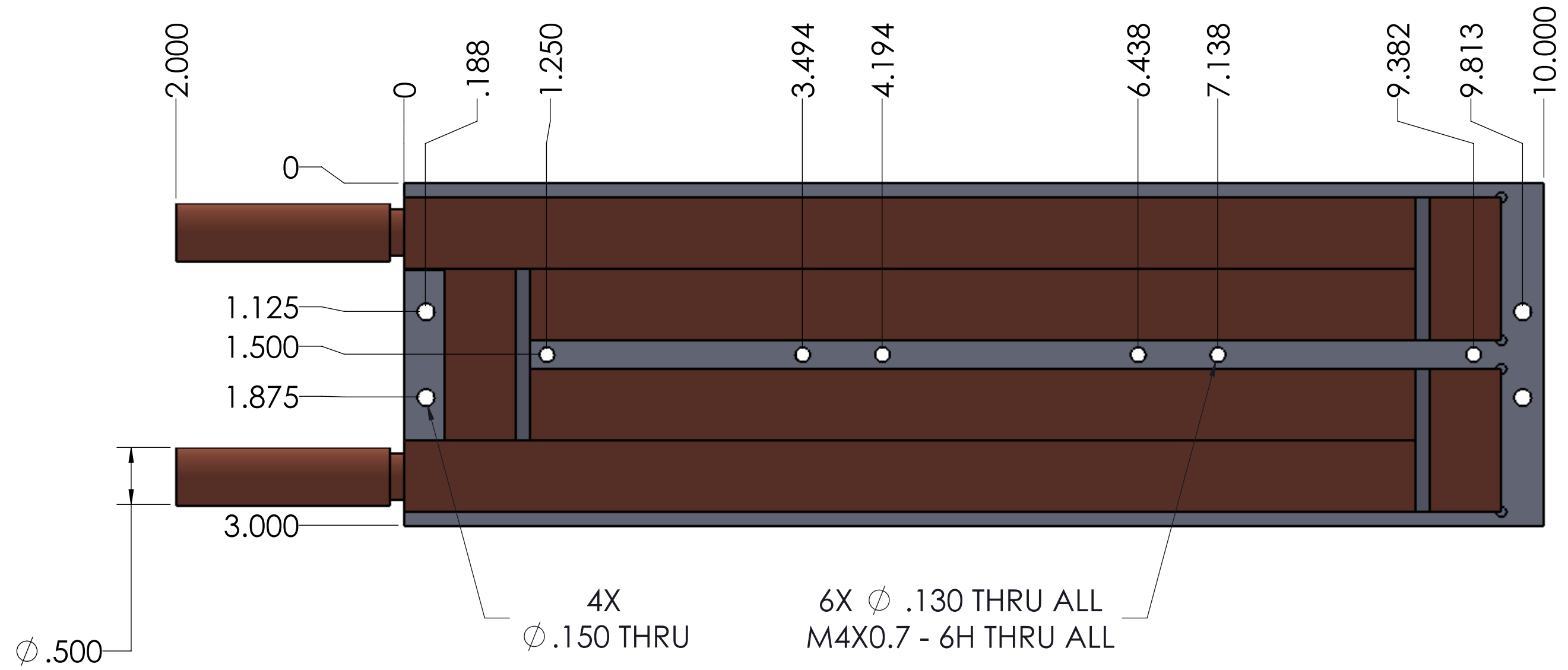
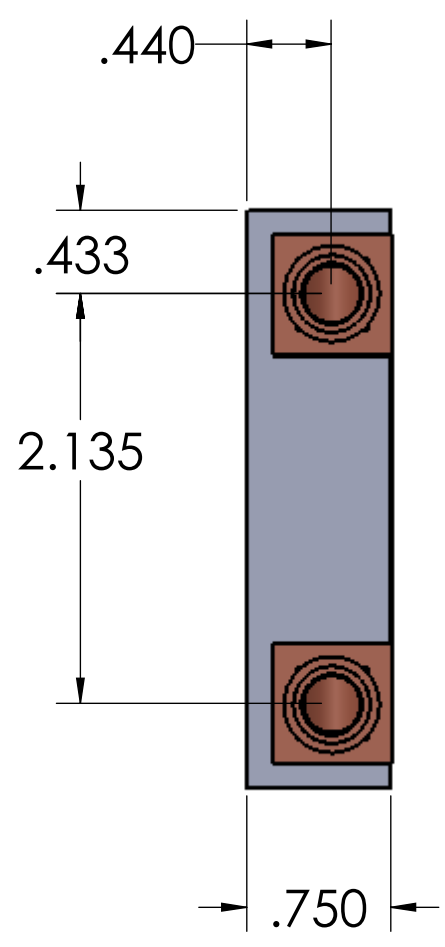
C

B

B

A

A



801 S UNION ST.  
LAWRENCE, MA 01843  
978-989-0981

<b>HT-TAP600-3</b>			
SIZE <b>C</b>	CAGE CODE	DWG NO. 50-0499	REV 1
SCALE 1:1		SHEET	