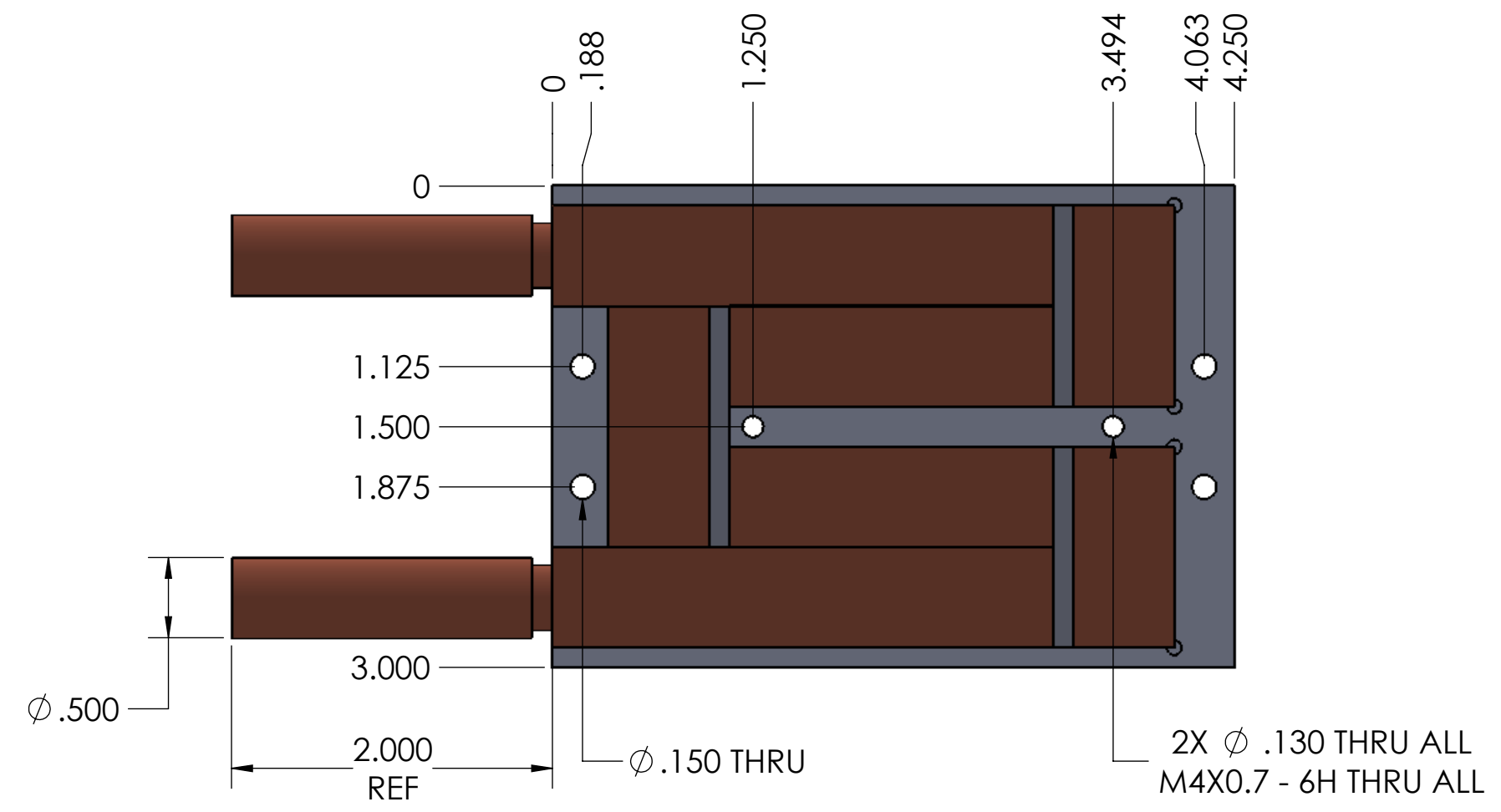
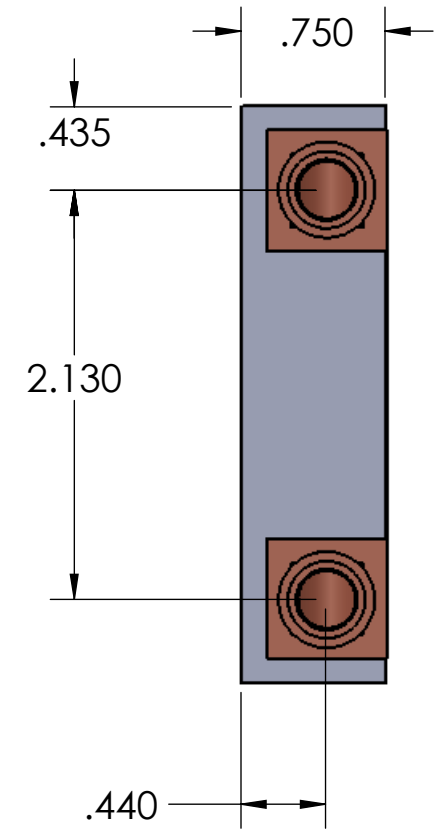


8 7 6 5 4 3 2 1

D  
C  
B  
A



2X  $\phi$  .130 THRU ALL  
M4X0.7 - 6H THRU ALL



<h1>HT-TAP600-1</h1>			
SIZE <b>B</b>	DWG NO. <b>50-0507</b>	REV <b>1</b>	
SCALE <b>1:1</b>			

8 7 6 5 4 3 2 1