

4

3

2

1

D

D

C

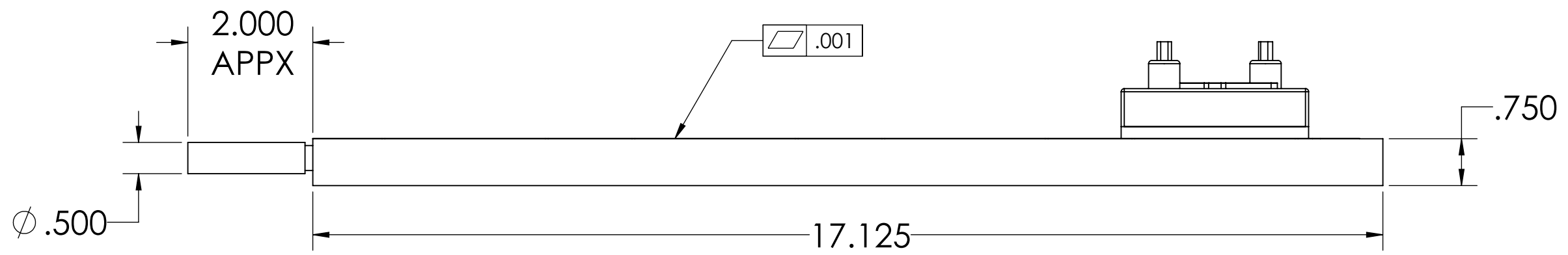
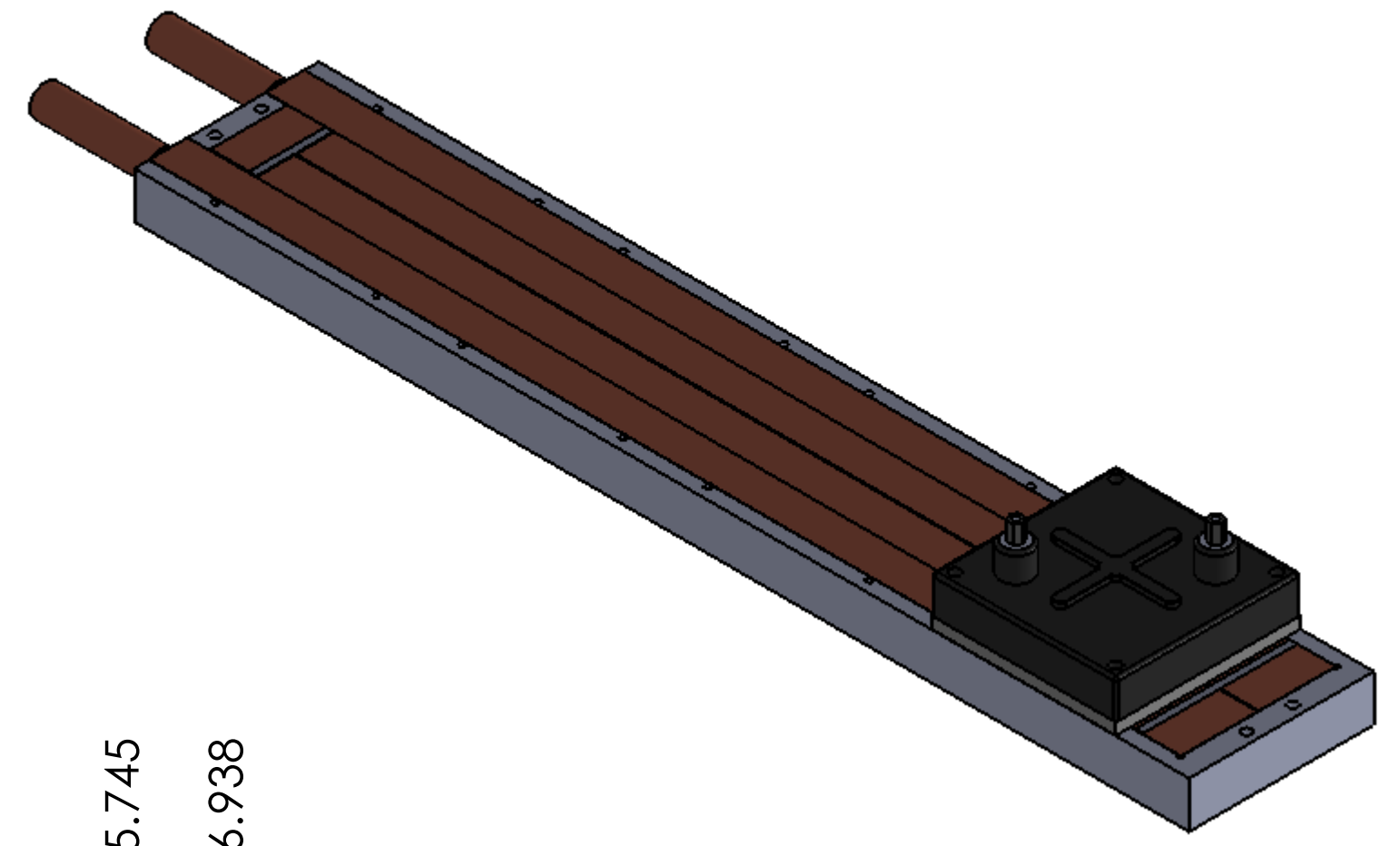
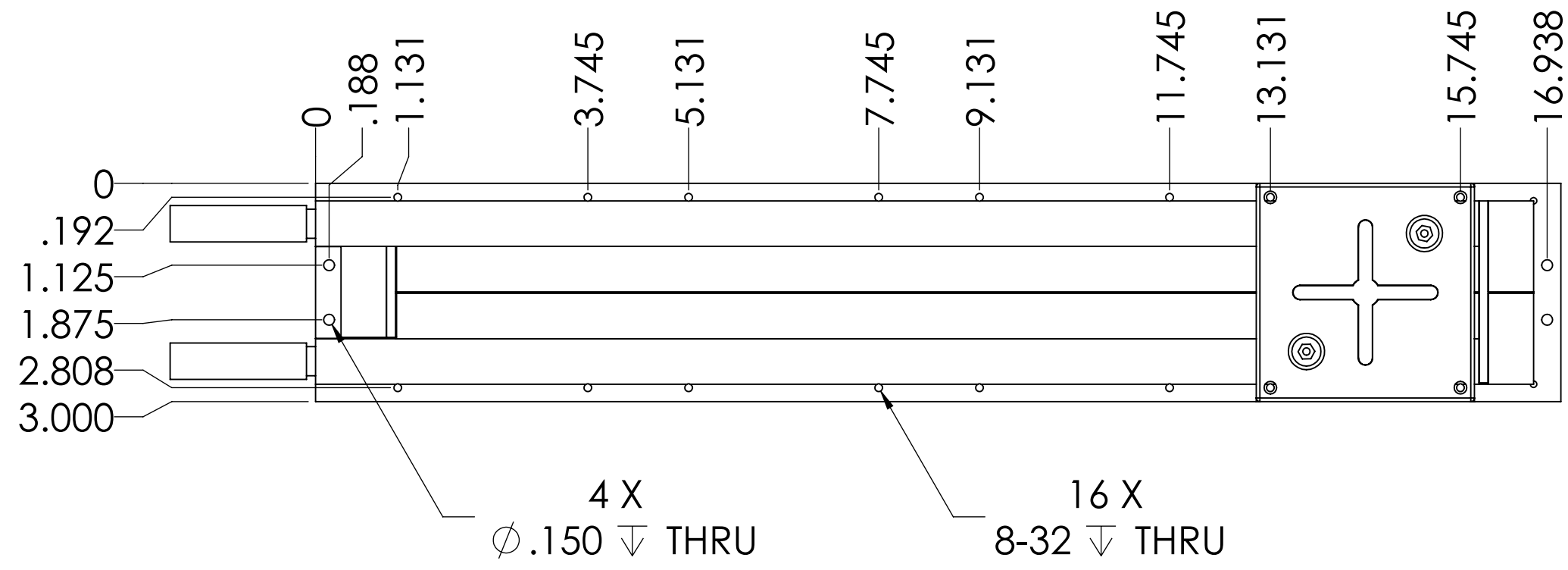
C

B

B

A

A



801 S UNION ST.  
LAWRENCE, MA 01843  
978-989-0981

HT-TAP2000-4			
SIZE C	CAGE CODE	DWG NO. 50-0224	REV 1
SCALE 1:2		SHEET	