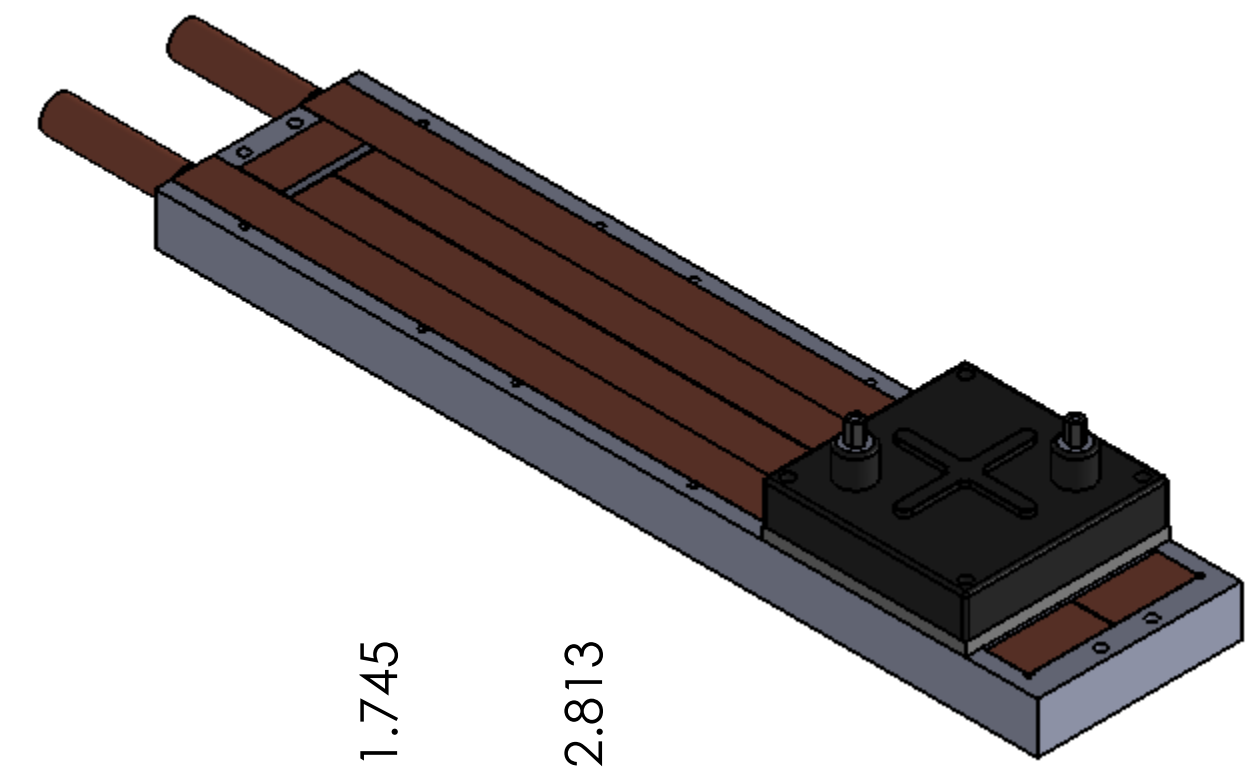


4

3

2

1



D

D

C

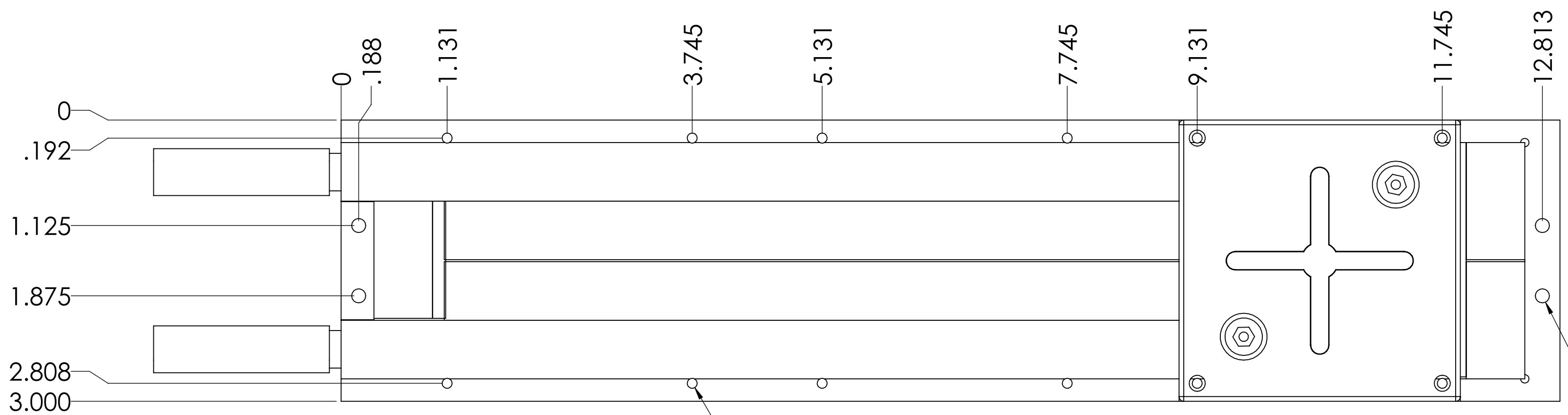
C

B

B

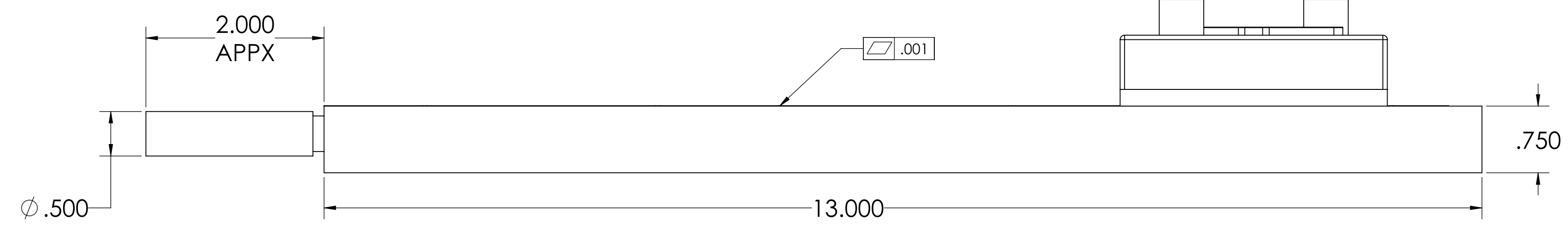
A

A



12 X  
8-32  $\nabla$  THRU

4 X  
 $\varnothing$ .150  
 $\nabla$  THRU



$\nabla$  .001



801 S UNION ST.  
LAWRENCE, MA 01843  
978-989-0981

HT-TAP2000-3			
SIZE C	CAGE CODE	DWG NO. 50-0219	REV 1
SCALE 1:1	SHEET		