

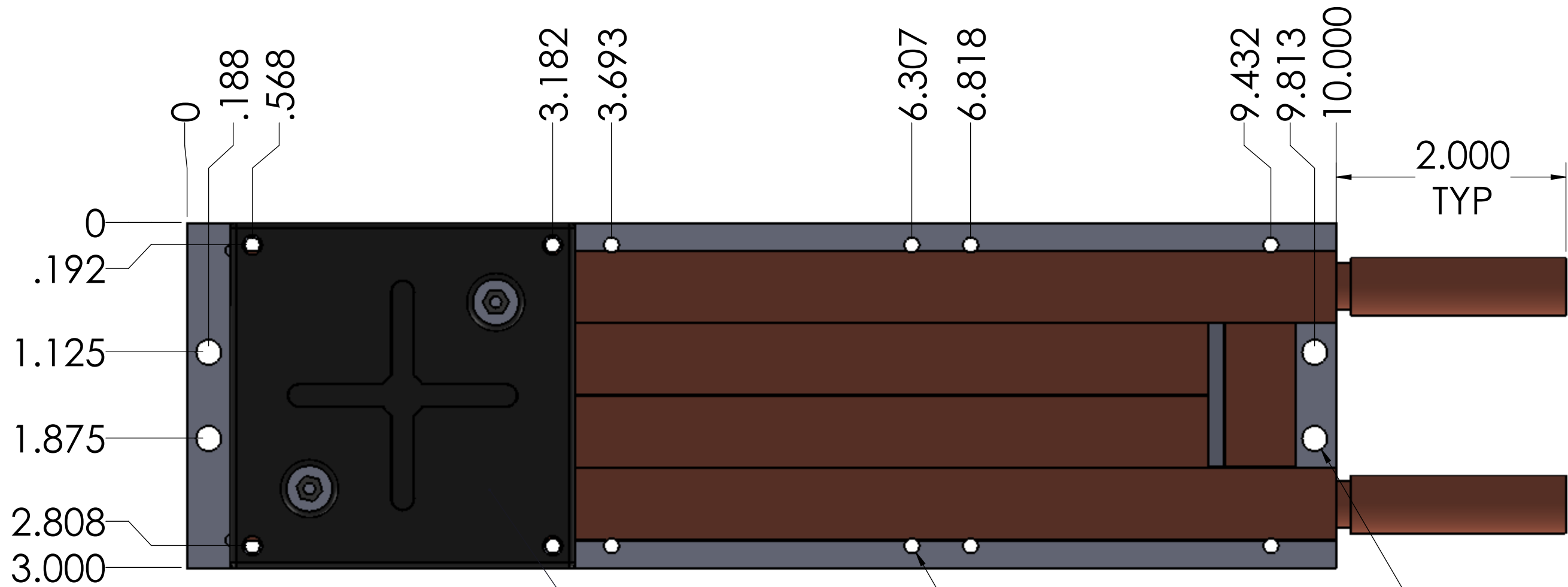
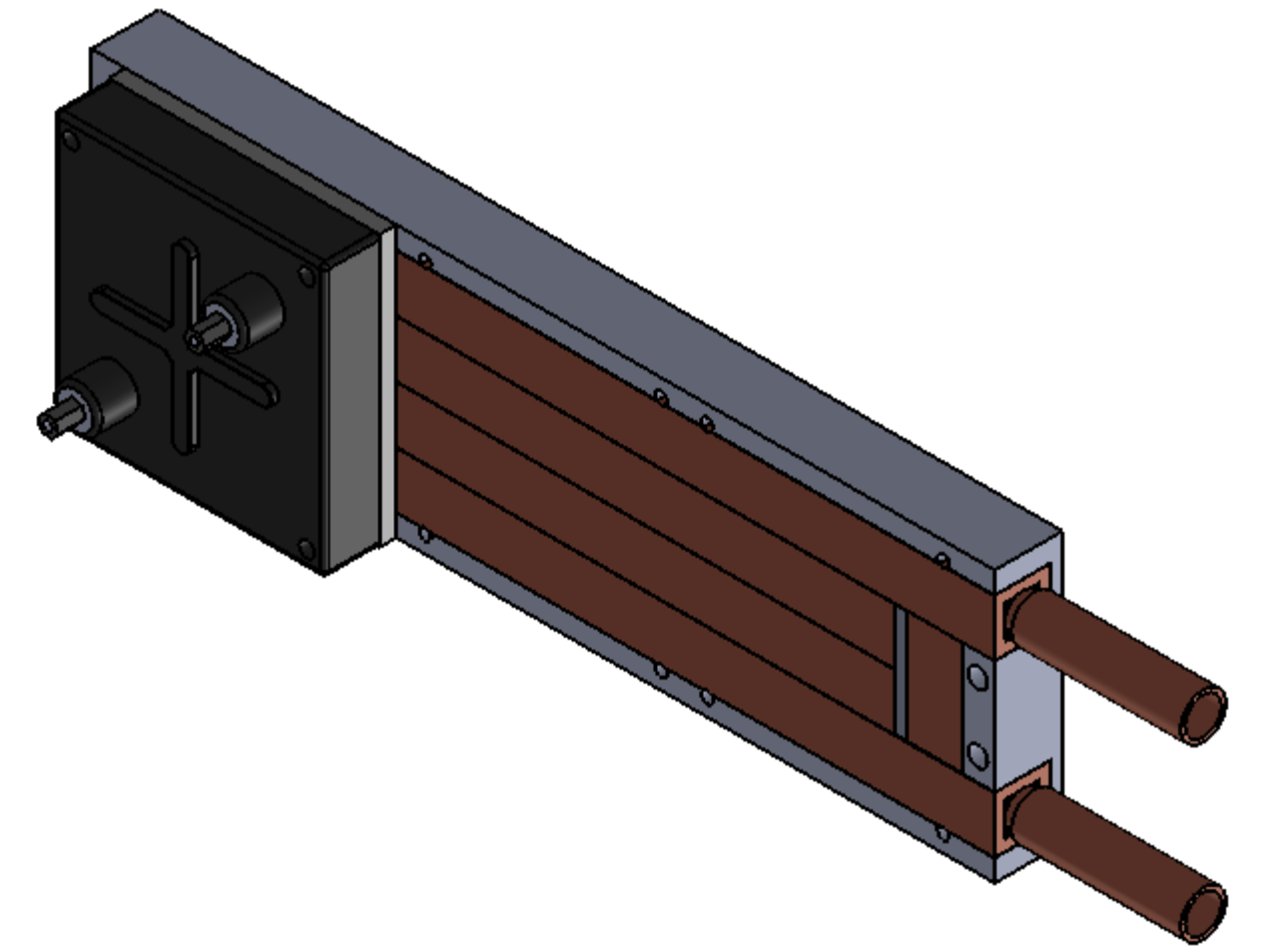
REV 1: CHANGED 6-32 TO 8-32

4

3

2

1



12 X  
8-32  $\nabla$  THRU

4 X  
 $\phi$  .219  $\nabla$  THRU

$\phi$  .500 OD  
.049 WALL



801 S UNION ST.  
LAWRENCE, MA 01843  
978-989-0981

<b>HT-TAP1000-3</b>			
SIZE <b>C</b>	CAGE CODE	DWG NO. 50-0193	REV 2
SCALE 1:1	SHEET		

4

3

2

A