

4

3

2

1

D

D

C

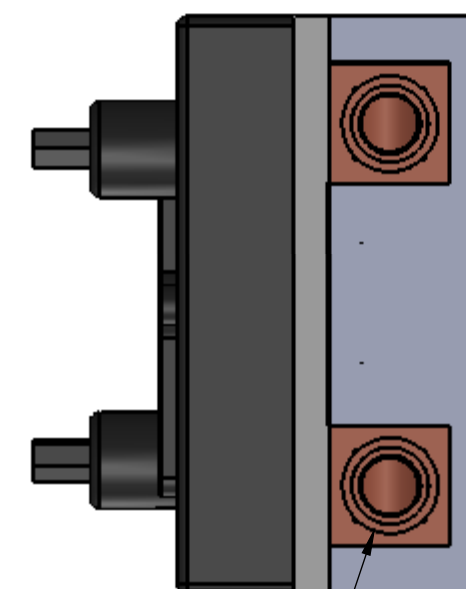
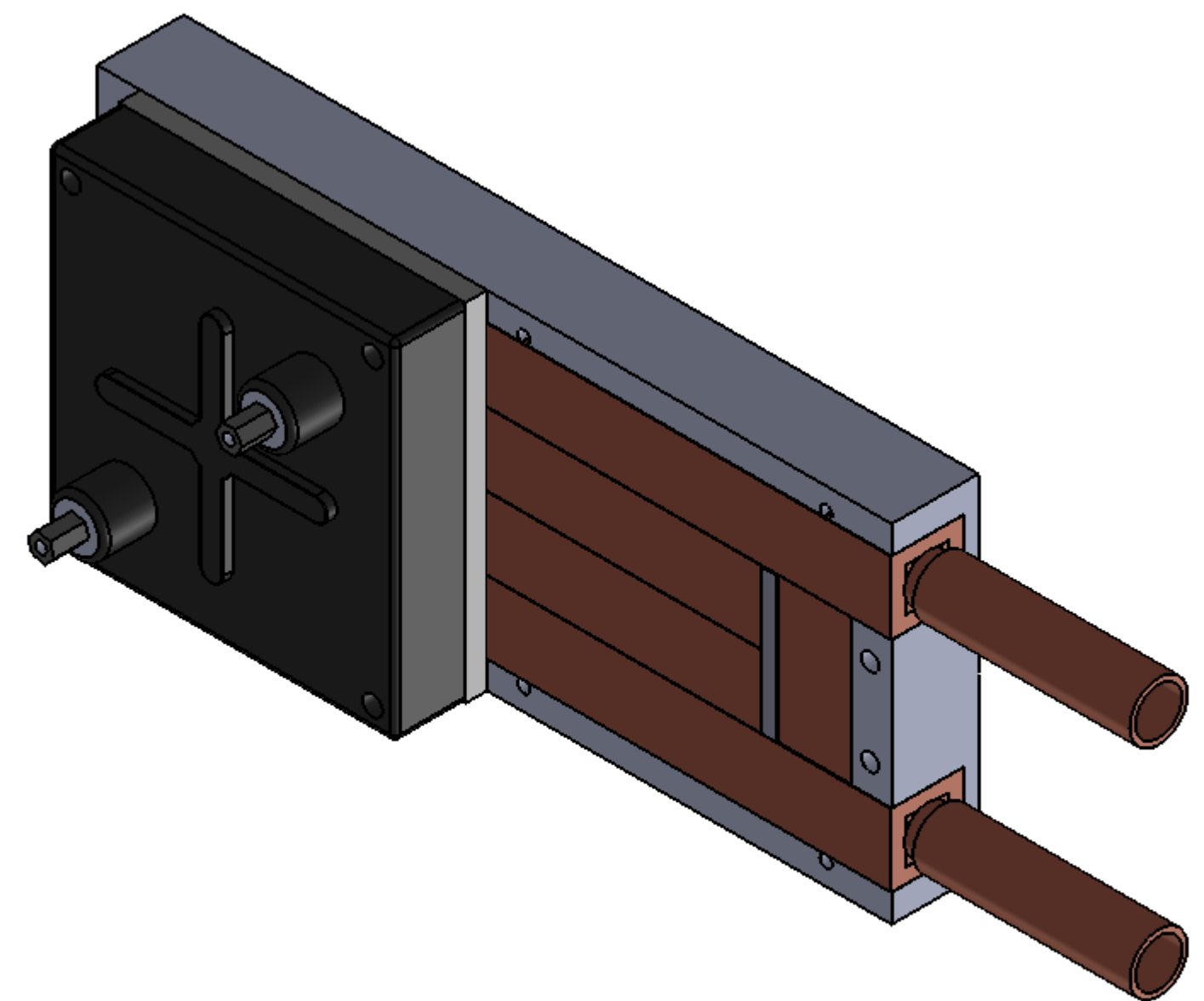
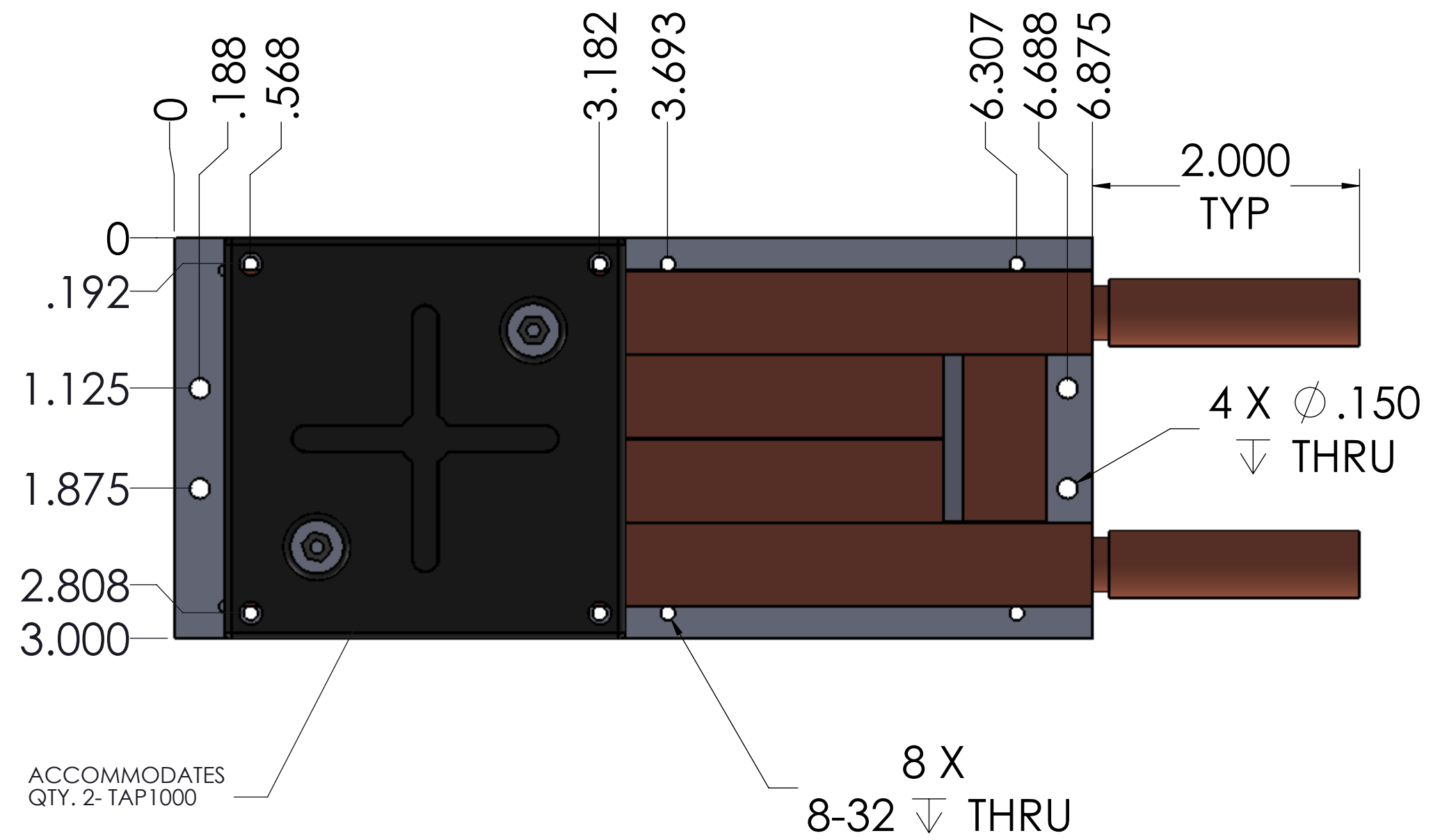
C

B

B

A

A



ϕ .500 OD
.049 WALL



801 S UNION ST.
LAWRENCE, MA 01843
978-989-0981

HT-TAP1000-2			
SIZE C	CAGE CODE	DWG NO. 50-0189	REV 2
SCALE 1:1		SHEET	