

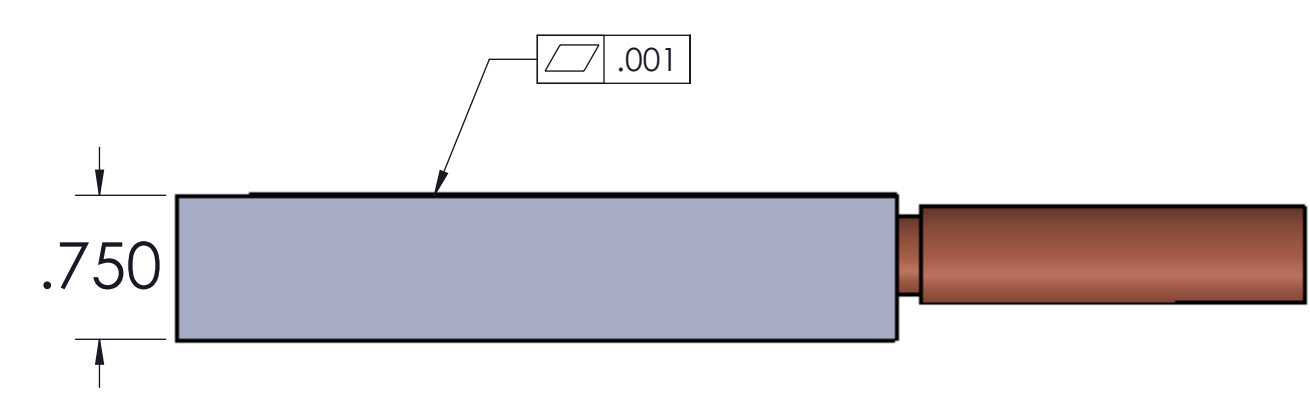
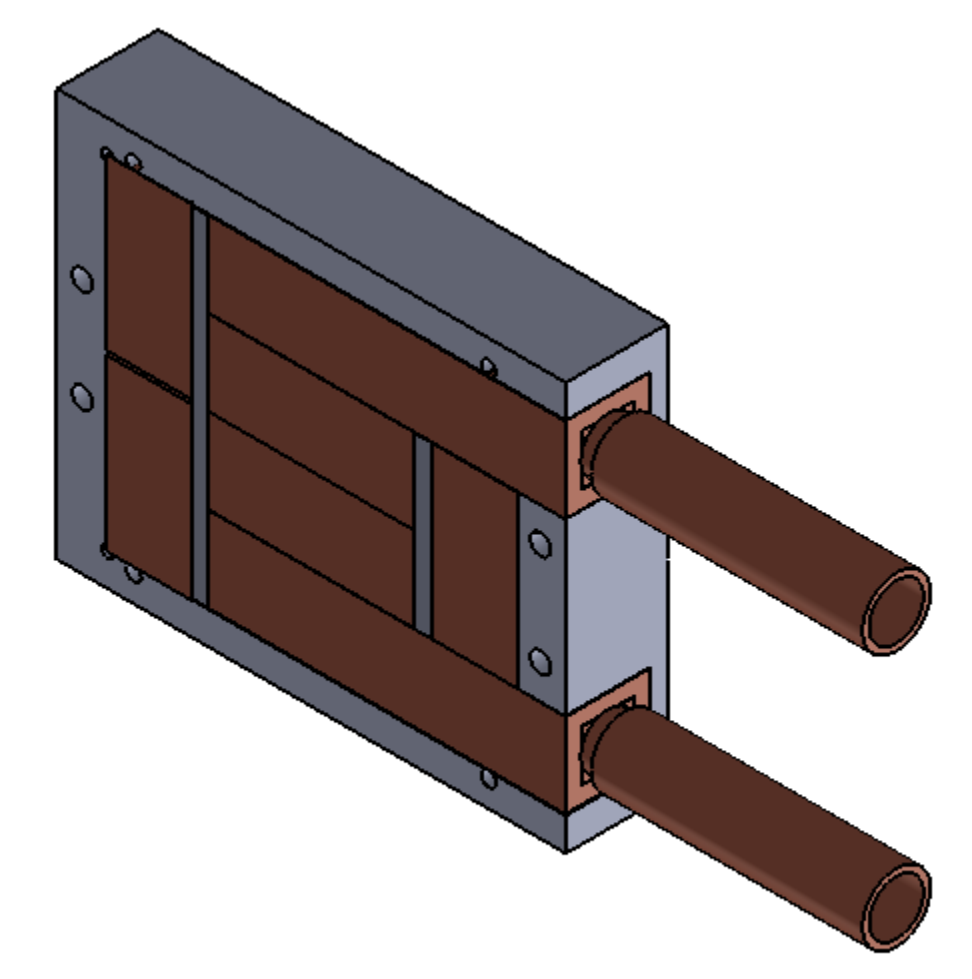
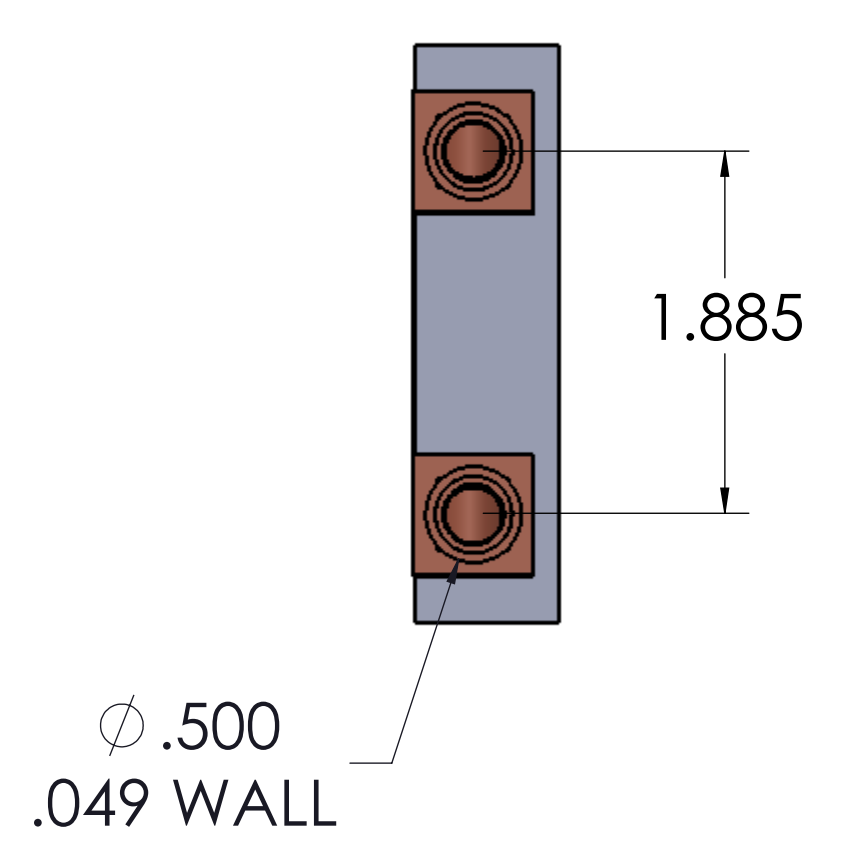
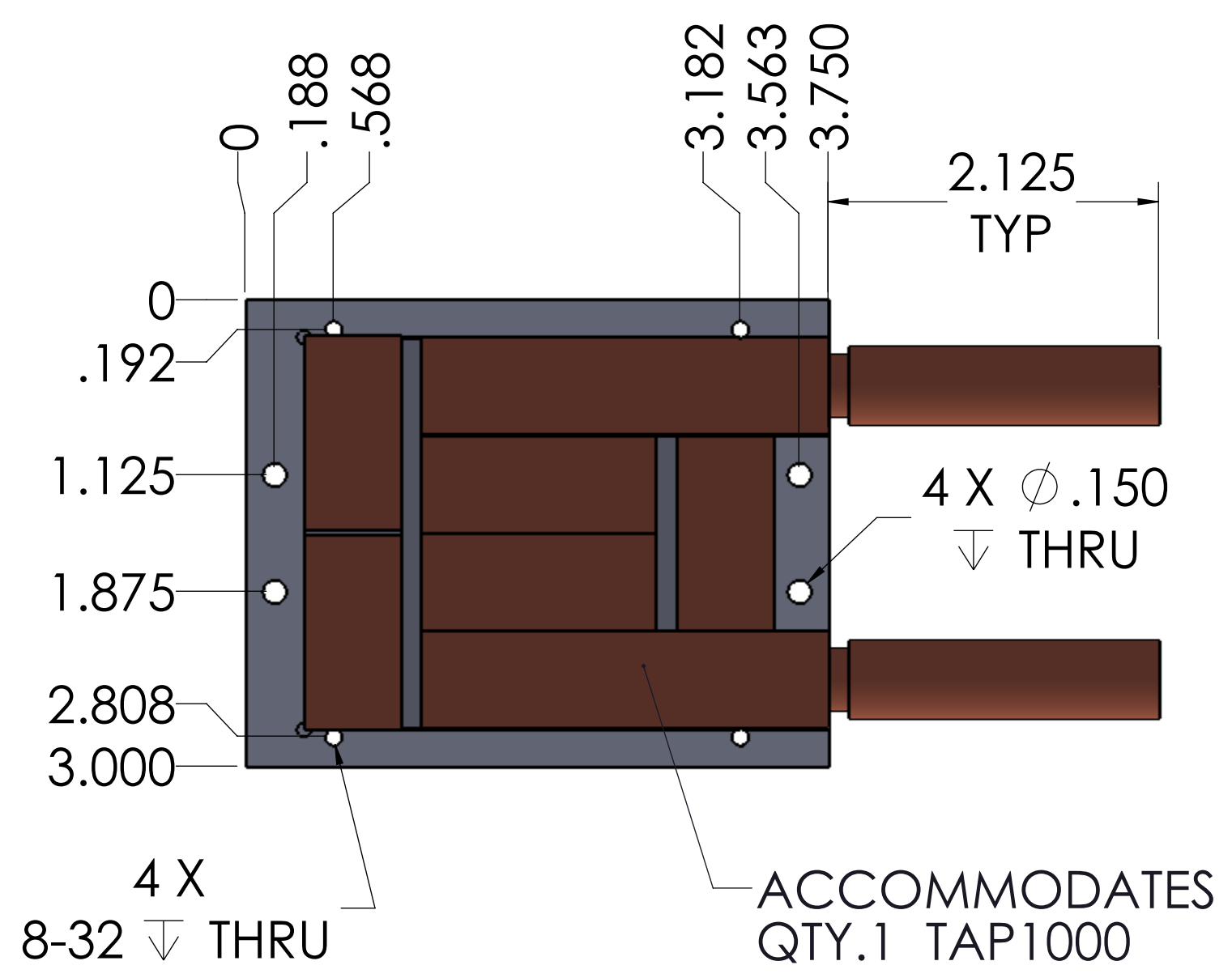
4 3 2 1

D

C

B

A



HT-TAP1000-1			
SIZE C	CAGE CODE	DWG NO. 50-0183	REV 2
SCALE 1:1	SHEET		

4 3 2 1