

4

3

2

1

D

D

C

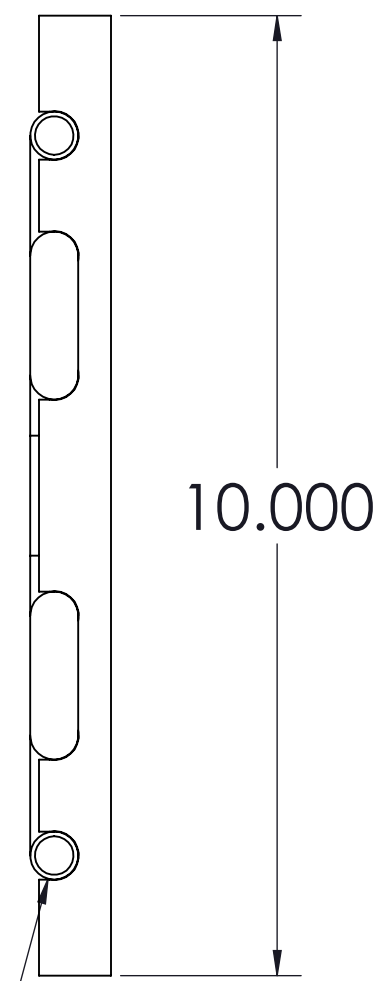
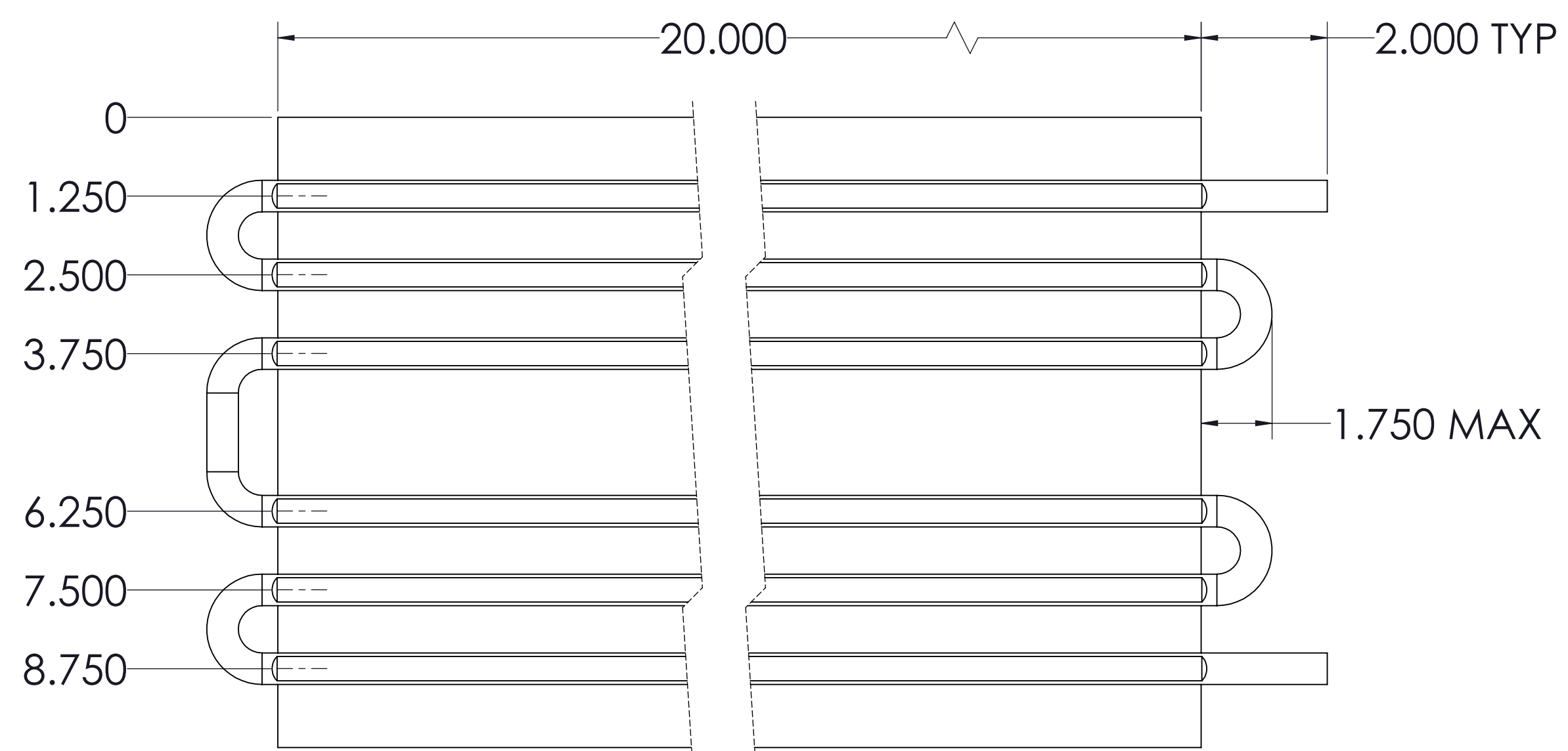
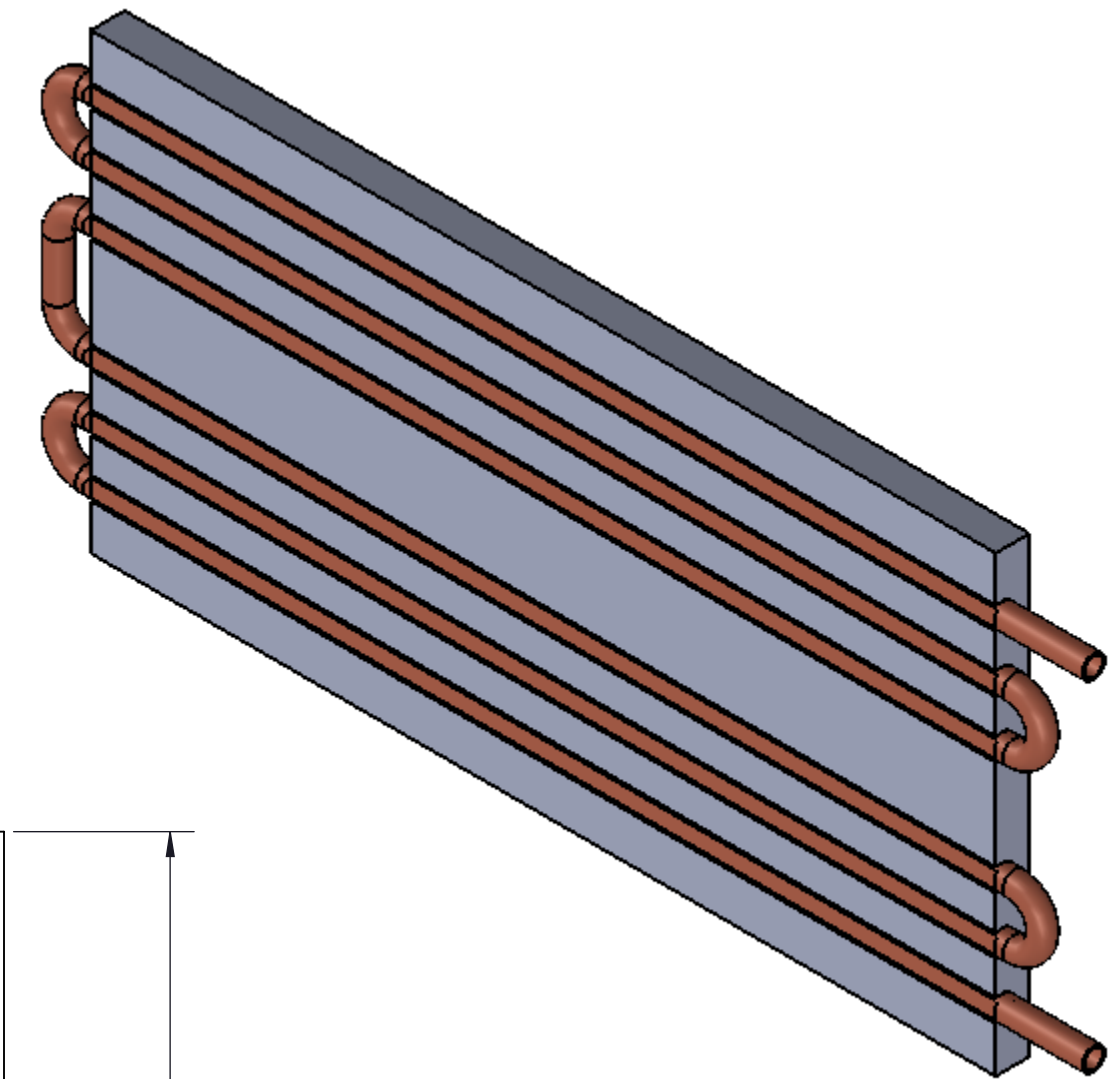
C

B

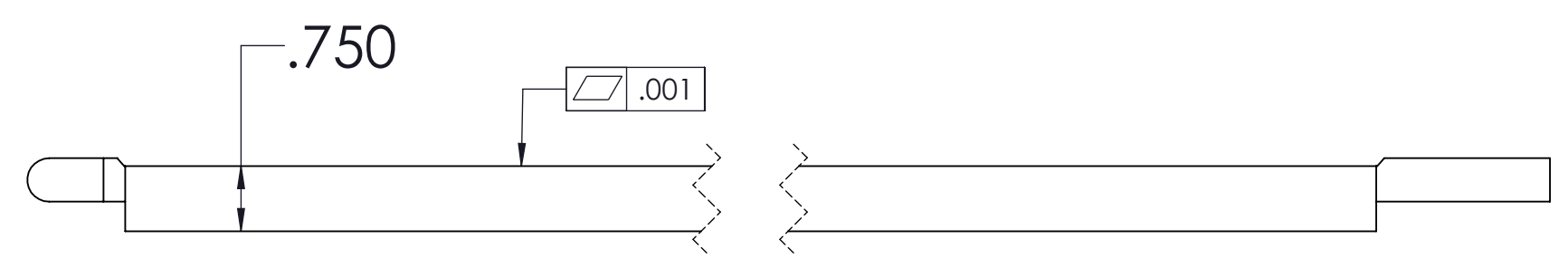
B

A

A



ϕ .500
.049 WALL



801 S UNION ST.
LAWRENCE, MA 01843
978-989-0981

HB-6P-2000-CU-C			
SIZE C	CAGE CODE	DWG NO.	REV 0
SCALE 1:2	SHEET		