

4

3

2

1



D

D

C

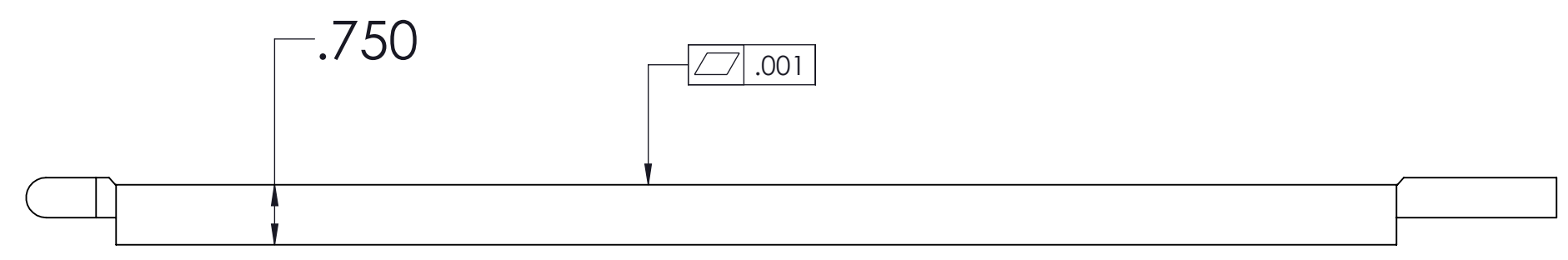
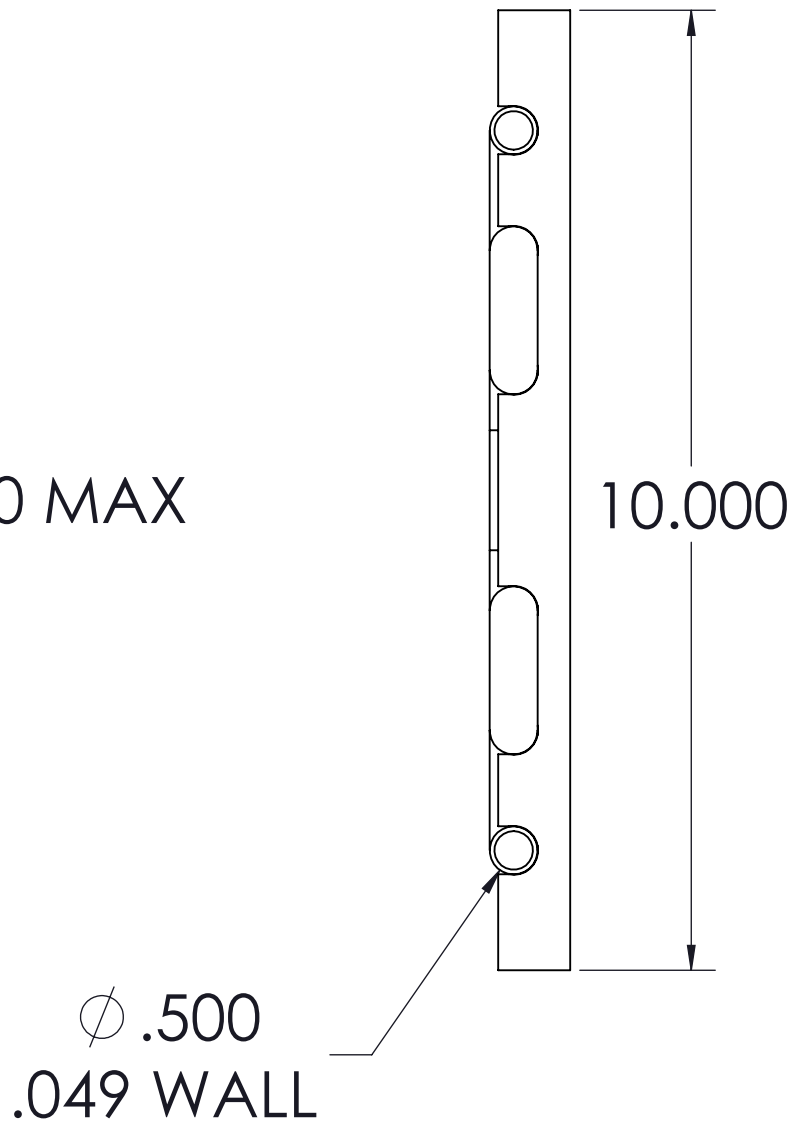
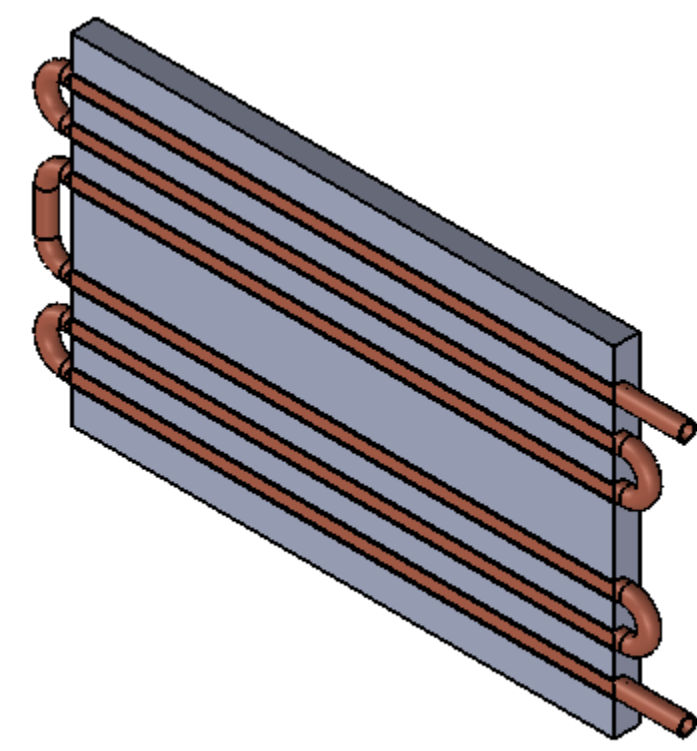
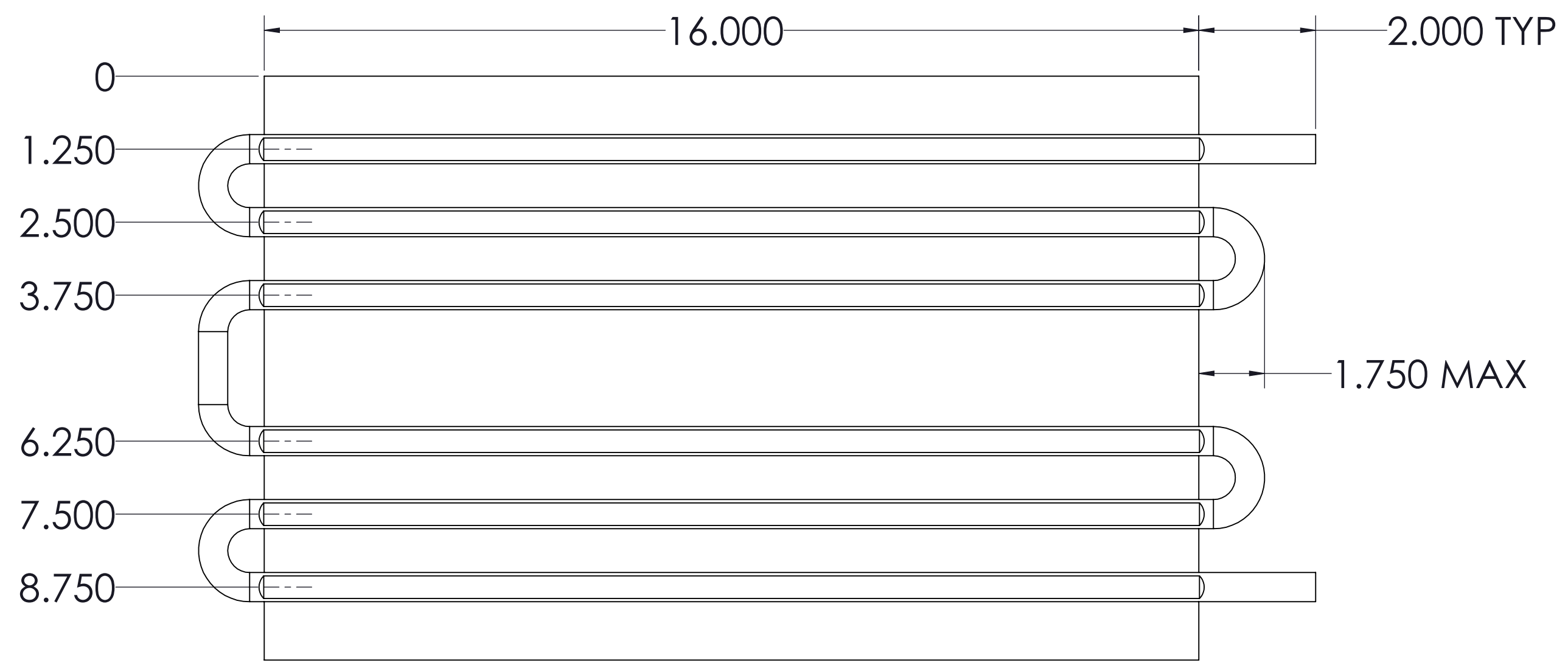
C

B

B

A

A



801 S UNION ST.  
LAWRENCE, MA 01843  
978-989-0981

HB-6P-1600-CU-C			
SIZE C	CAGE CODE	DWG NO. -	REV 0
SCALE 1:2	SHEET		