

4

3

2

1

D

D

C

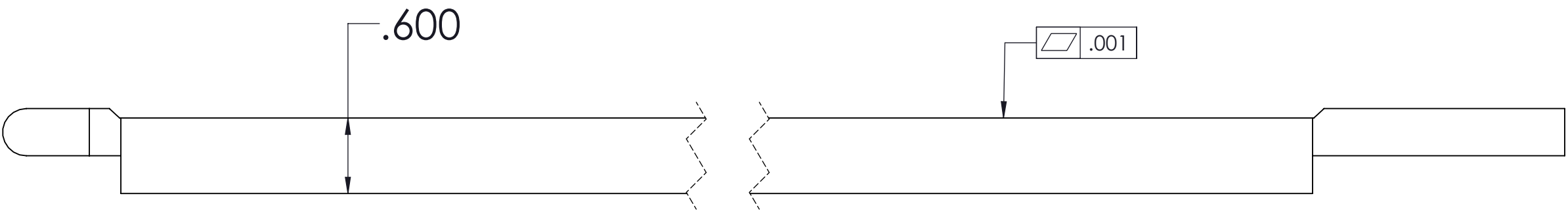
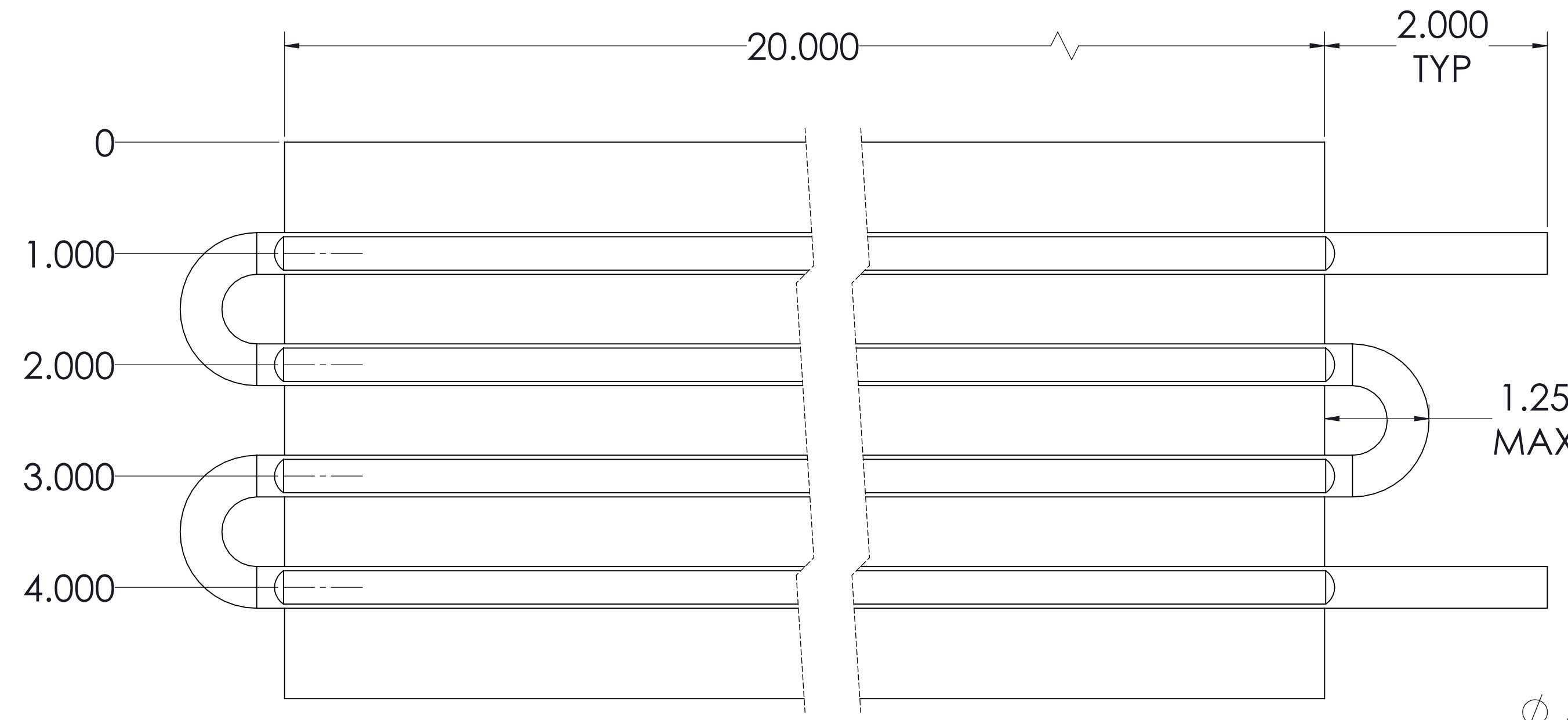
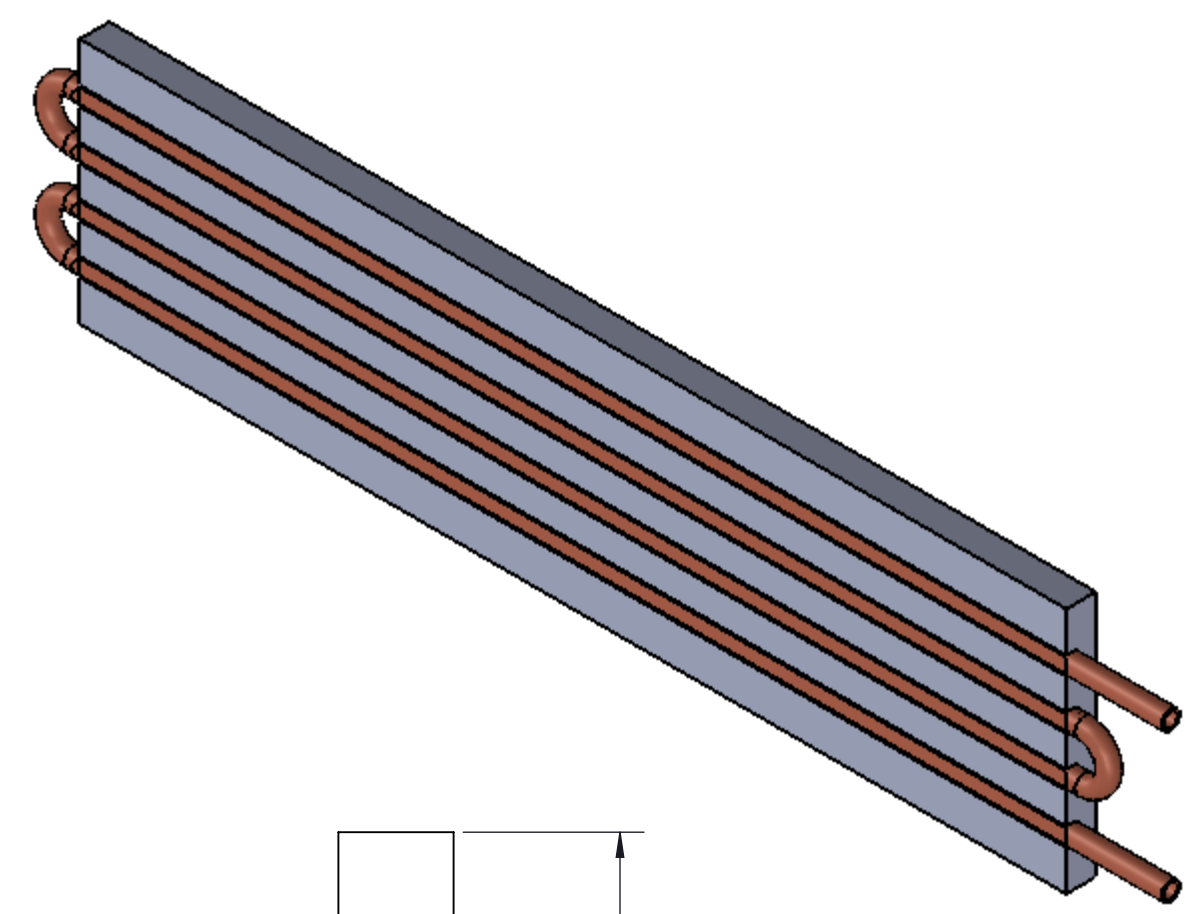
C

B

B

A

A



Ø .375
.049 WALL



801 S UNION ST.
LAWRENCE, MA 01843
978-989-0981

HB-4P-2000-CU-C

SIZE C	CAGE CODE	DWG NO.	REV 0
SCALE 1:1	SHEET		