

4

3

2

1

D

D

C

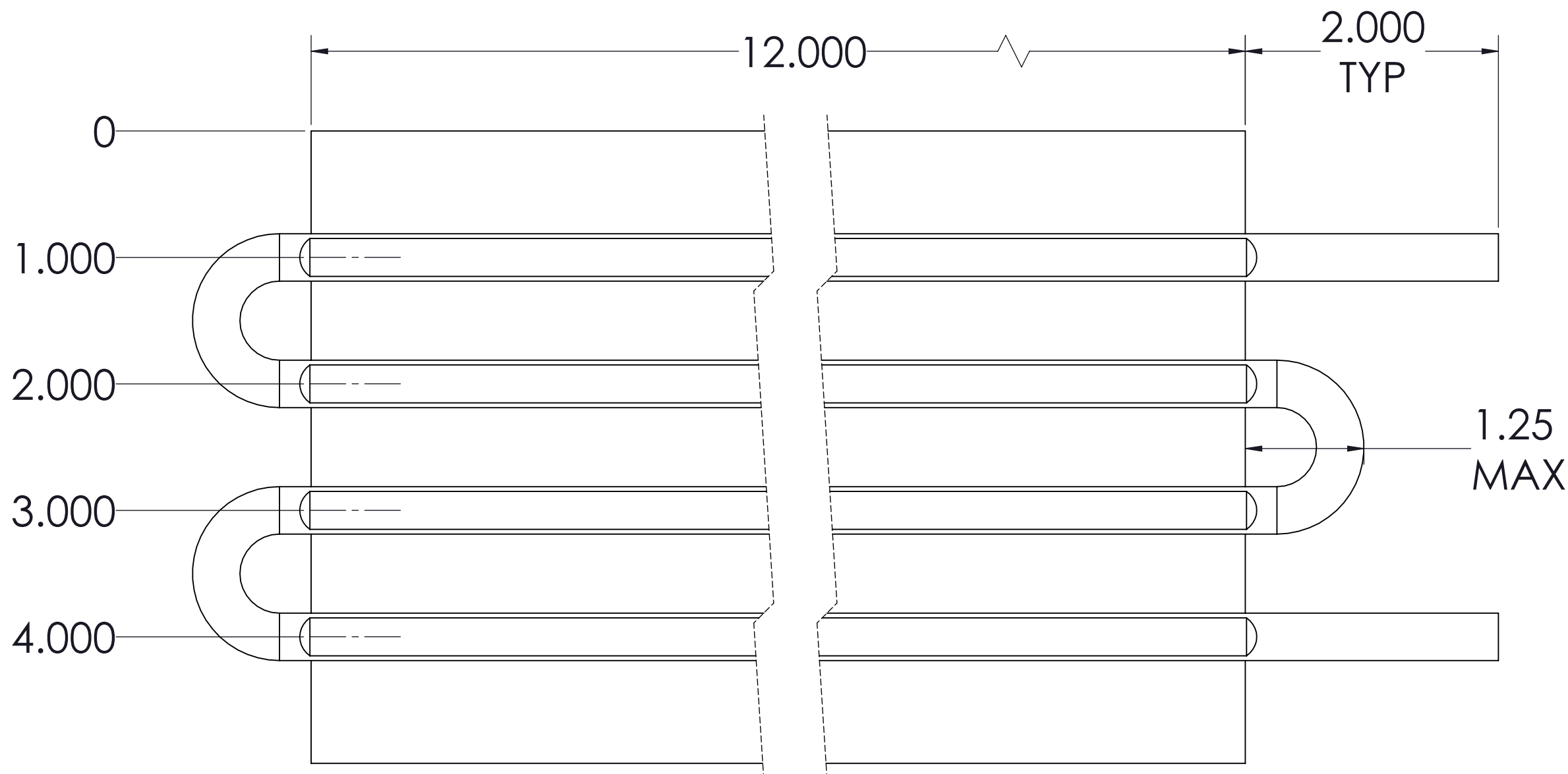
C

B

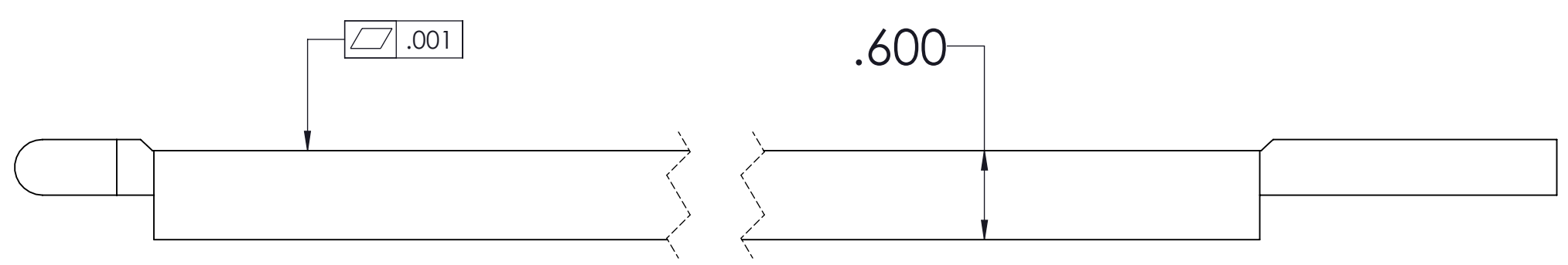
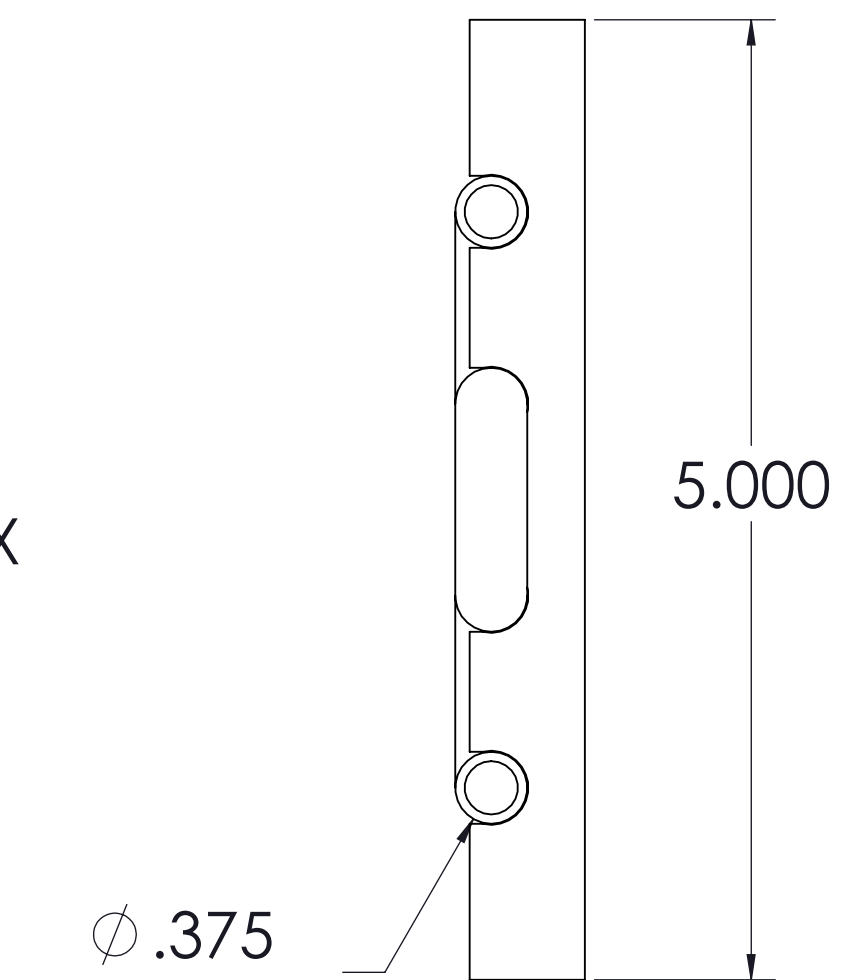
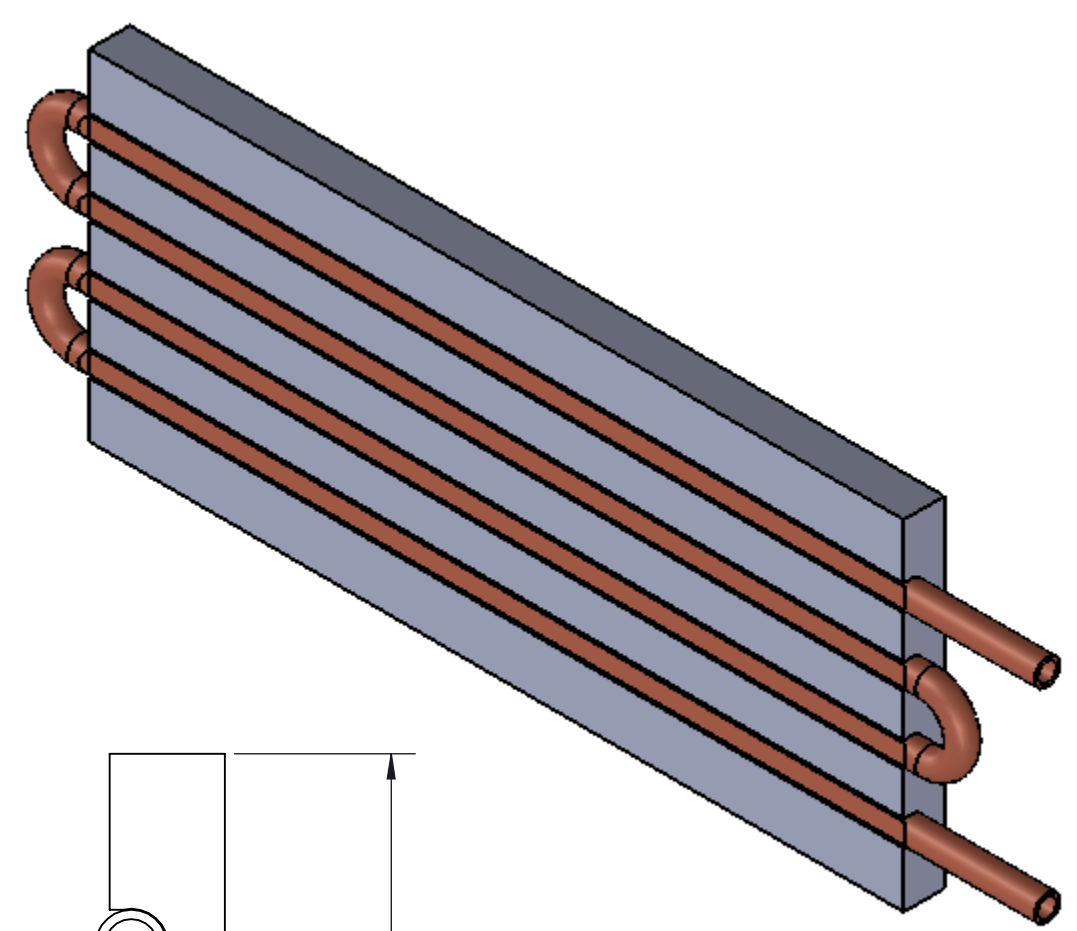
B

A

A



∅ .375  
.049 WALL



801 S UNION ST.  
LAWRENCE, MA 01843  
978-989-0981

# HB-4P-1200-CU-C

|              |           |              |          |
|--------------|-----------|--------------|----------|
| SIZE<br>C    | CAGE CODE | DWG NO.<br>- | REV<br>0 |
| SCALE<br>1:1 | SHEET     |              |          |